

DO NOT SCALE

This drawing has been produced by Dorman Long Technology in accordance with the instructions of the client for their sole and specific use.

Dorman Long Technology shall not be liable for the use of any information contained on this drawing for any purpose other than that for which it was specifically prepared and provided.

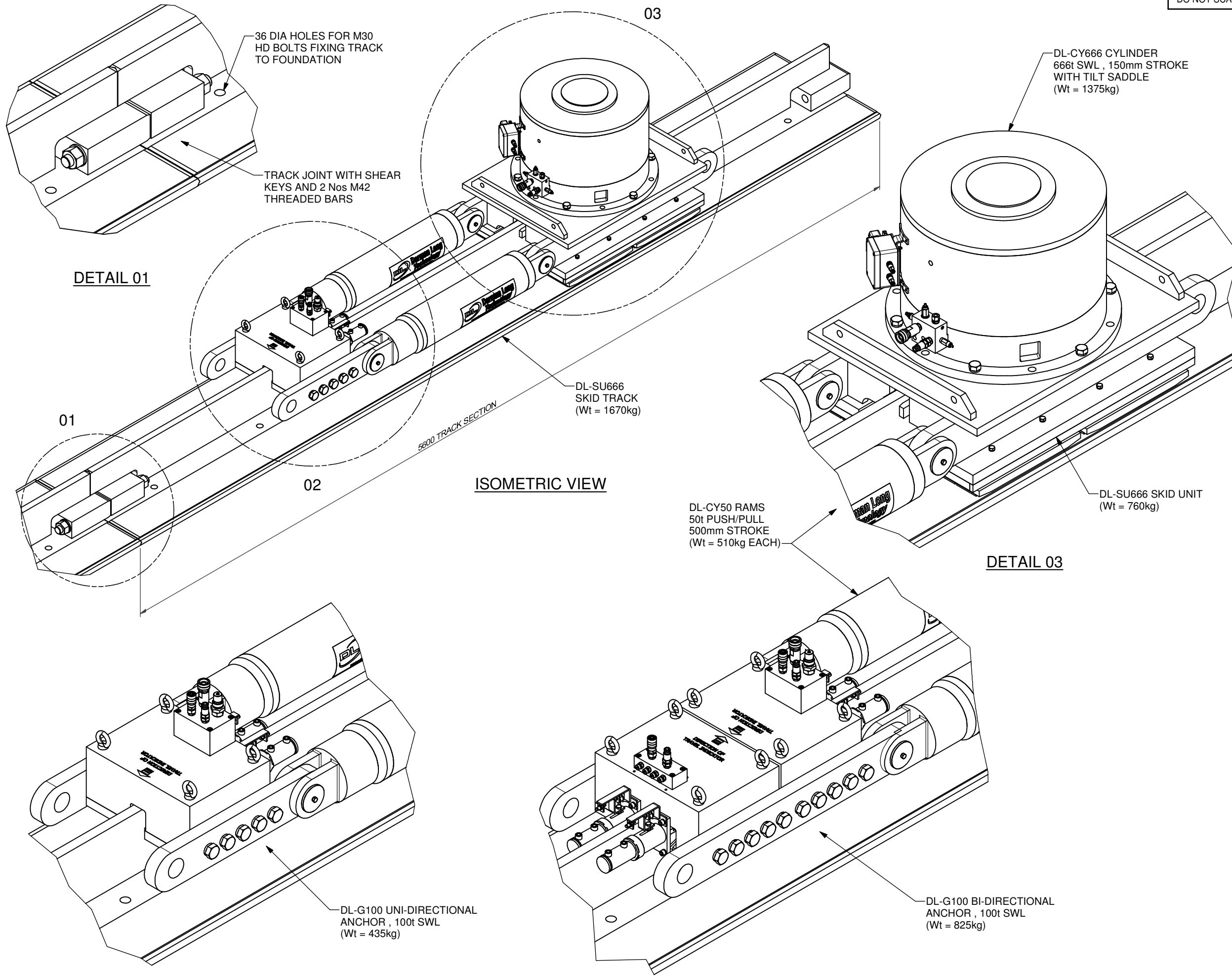
Should there be any doubt regarding the interpretation of any information given on this drawing, enquiries should be directed to Dorman Long Technology at the address given below before executing such part of the works.

Copyright © Dorman Long Technology

NOTES

SPECIFICATION

VERTICAL LOAD CAPACITY PER SKID UNIT	= 666t
MAXIMUM LATERAL LOAD	= 5%
MAXIMUM PUSH / PULL PER SKID UNIT	= 100t
WORKING PRESSURES (BAR)	
VERTICAL	= 275 (PUSH)
GRIPPER	= 193/279 (PUSH/PULL)
MAXIMUM BEARING PRESSURE UNDER TRACK	= 20MPa
LAUNCH SPEED	= 20m/hour
CLOSED HEIGHT	= 890mm
MAXIMUM LIFT HEIGHT	= 150mm
OVERALL CLOSED LENGTH	
- UNI-DIRECTIONAL ANCHOR	= 3325mm
- BI-DIRECTIONAL ANCHOR	= 3778mm
OVERALL WIDTH OF SYSTEM	= 800 mm



DETAIL 01

02

ISOMETRIC VIEW

03

DETAIL 03

DETAIL 02 SHOWING UNI-DIRECTIONAL ANCHOR

DETAIL 02 SHOWING BI-DIRECTIONAL ANCHOR

A	11.04.13	INF	INFORMATION	JPF	DNT
Rev	Date	Status	Description	By	Chkd



Dorman Long Technology
 Whessoe Technology Centre
 Morton Palms, Darlington
 Co. Durham, DL1 4WB
 United Kingdom
 Tel: +44 (0) 1325 390084
 Fax: +44 (0) 1325 390054
 www.dormanlongtechnology.com

Project
 DL-SU666 SKIDDING SYSTEM

Drawing Title
 DL-SU666 SKIDDING SYSTEM
 GENERAL ARRANGEMENT
 ISOMETRIC VIEWS

Design Eng:	DNT	Checking Eng:	MW
Drawn by:	JPF	Project Eng:	DJD

Scales (At A3) AS SHOWN
 Drawing Status FOR INFORMATION

Original Drawing size: A3	Rev.
Drawing No. DL-SU666-001	A

DO NOT SCALE

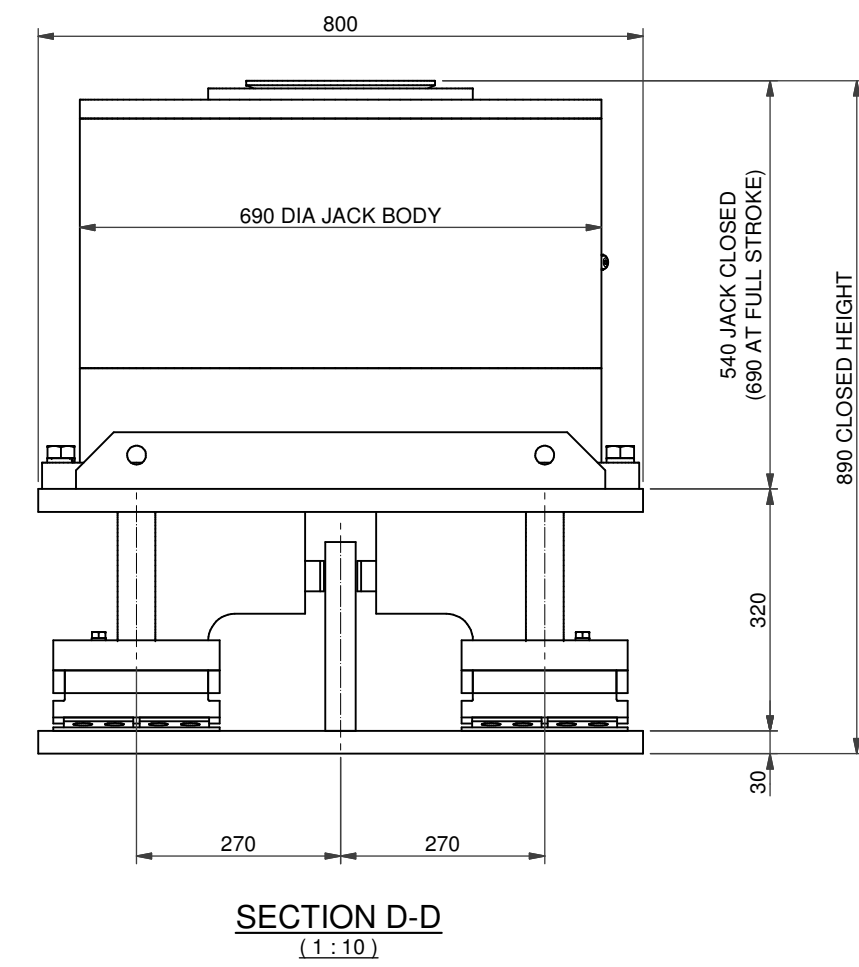
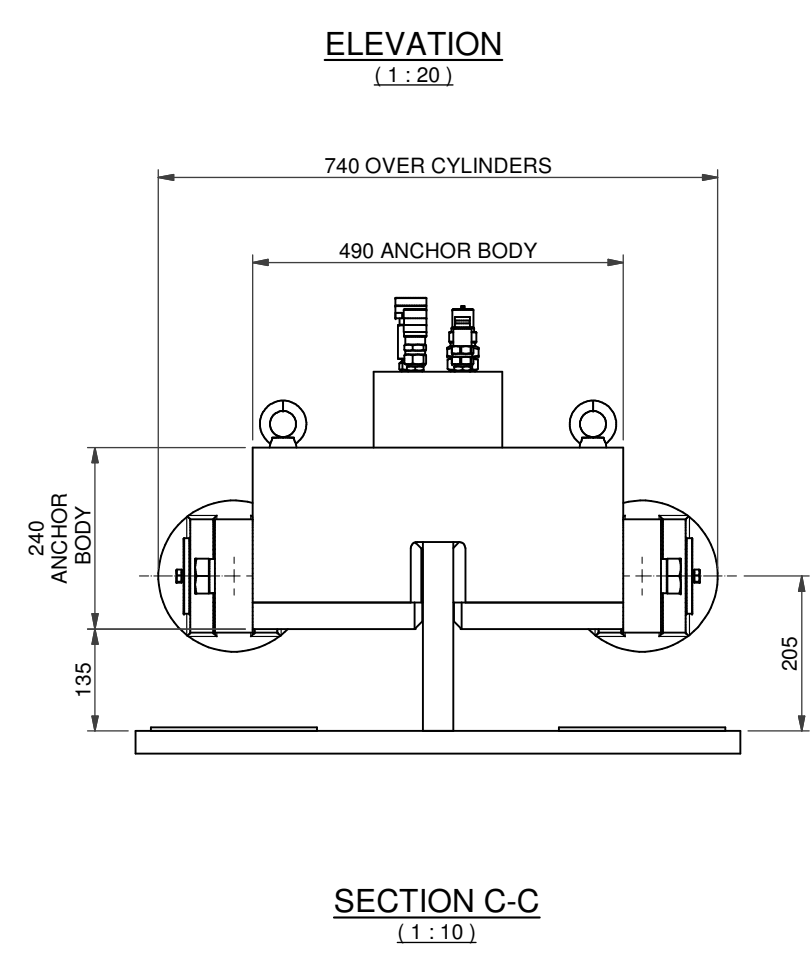
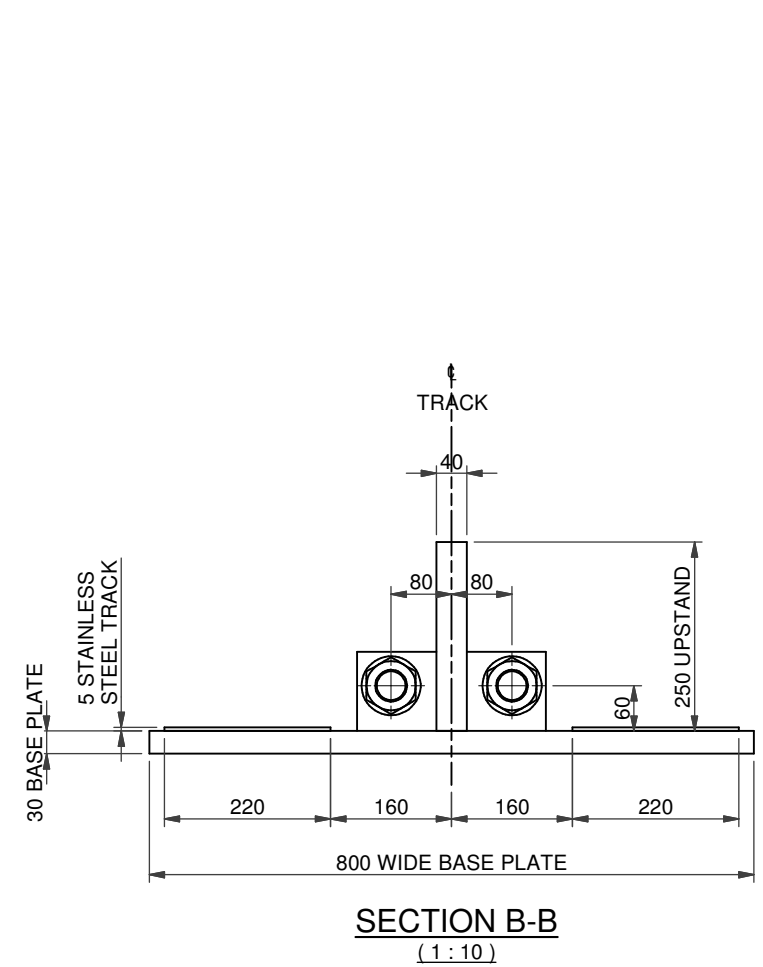
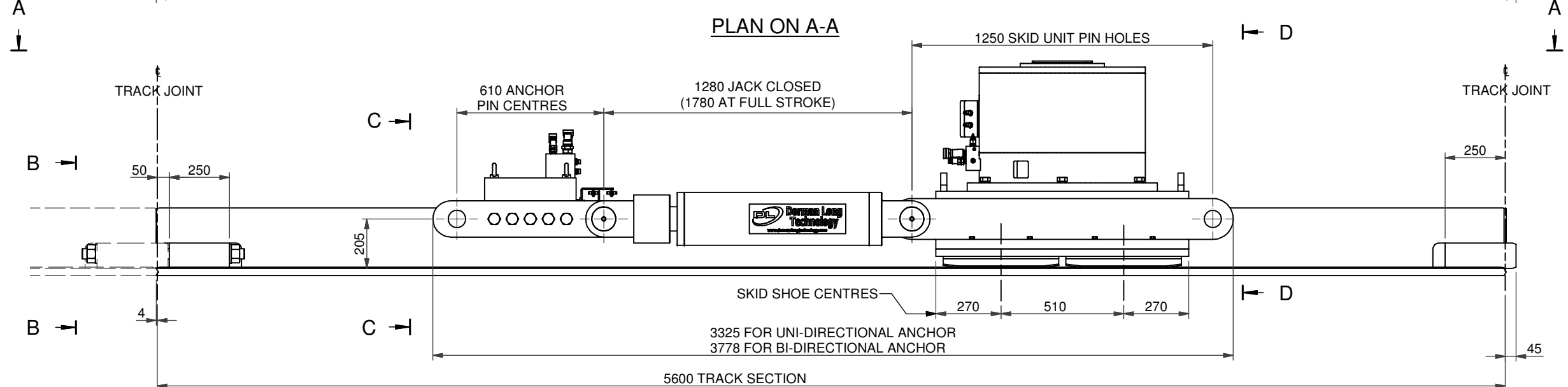
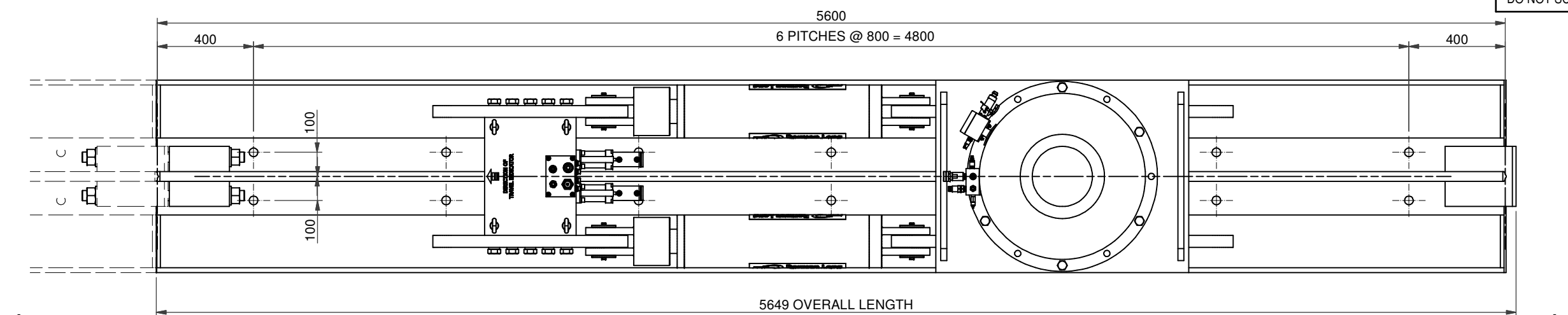
This drawing has been produced by Dorman Long Technology in accordance with the instructions of the client for their sole and specific use.
 Dorman Long Technology shall not be liable for the use of any information contained on this drawing, enquires should be directed to Dorman Long Technology at the address given below before executing such part of the works.
 Should there be any doubt regarding the interpretation of any information given on this drawing, enquires should be directed to Dorman Long Technology at the address given below before executing such part of the works.

Copyright © Dorman Long Technology

NOTES

SPECIFICATION

VERTICAL LOAD CAPACITY PER SKID UNIT	= 666t
MAXIMUM LATERAL LOAD	= 5%
MAXIMUM PUSH / PULL PER SKID UNIT	= 100t
WORKING PRESSURES (BAR)	
VERTICAL GRIPPER	= 275 (PUSH) = 193/279 (PUSH/PULL)
MAXIMUM BEARING PRESSURE UNDER TRACK	= 20MPa
LAUNCH SPEED	= 20m/hour
CLOSED HEIGHT	= 890mm
MAXIMUM LIFT HEIGHT	= 150mm
OVERALL CLOSED LENGTH	
- UNI-DIRECTIONAL ANCHOR	= 3325mm
- BI-DIRECTIONAL ANCHOR	= 3778mm
OVERALL WIDTH OF SYSTEM	= 800 mm



Rev	Date	Status	Description	By	Chkd
A	11.04.13	INF	INFORMATION	JPF	DNT

Dorman Long Technology
 Whessoe Technology Centre
 Morton Palms, Darlington
 Co. Durham, DL1 4WB
 United Kingdom
 Tel: +44 (0) 1325 390084
 Fax: +44 (0) 1325 390054
 www.dormanlongtechnology.com

Project
 DL-SU666 SKIDDING SYSTEM

Drawing Title
 DL-SU666 SKIDDING SYSTEM
 GENERAL ARRANGEMENT
 PLANS & SECTIONS

Design Eng: DNT	Checking Eng: MW
Drawn by: JPF	Project Eng: DJD

Scales (At A3) AS SHOWN
 Drawing Status **FOR INFORMATION**

Original Drawing size: A3
 Drawing No. **DL-SU666-002** Rev. **A**

DO NOT SCALE

This drawing has been produced by Dorman Long Technology in accordance with the instructions of the client for their sole and specific use.

Dorman Long Technology shall not be liable for the use of any information contained on this drawing for any purpose other than that for which it was specifically prepared and provided.

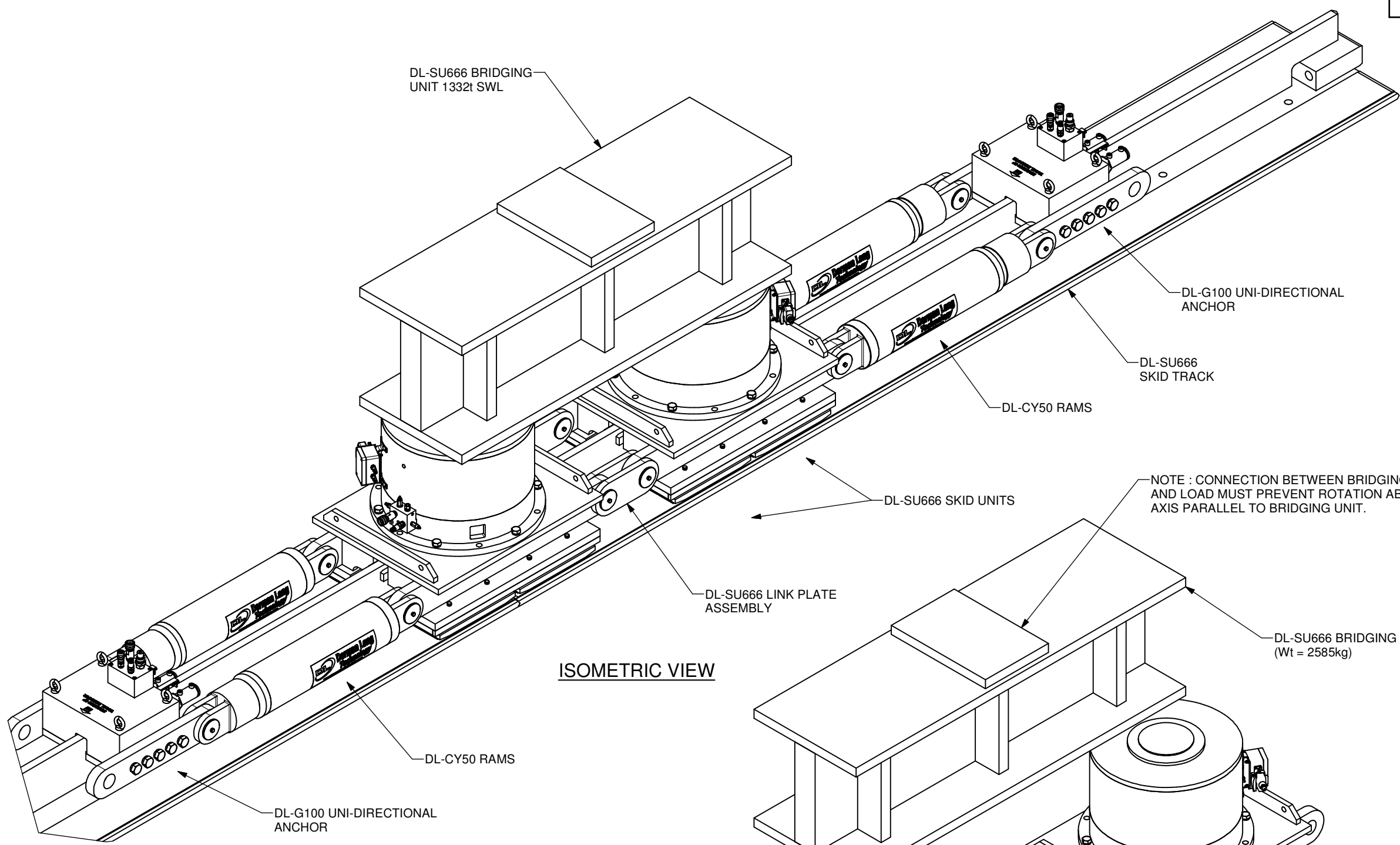
Should there be any doubt regarding the interpretation of any information given on this drawing, enquiries should be directed to Dorman Long Technology at the address given below before executing such part of the works.

Copyright © Dorman Long Technology

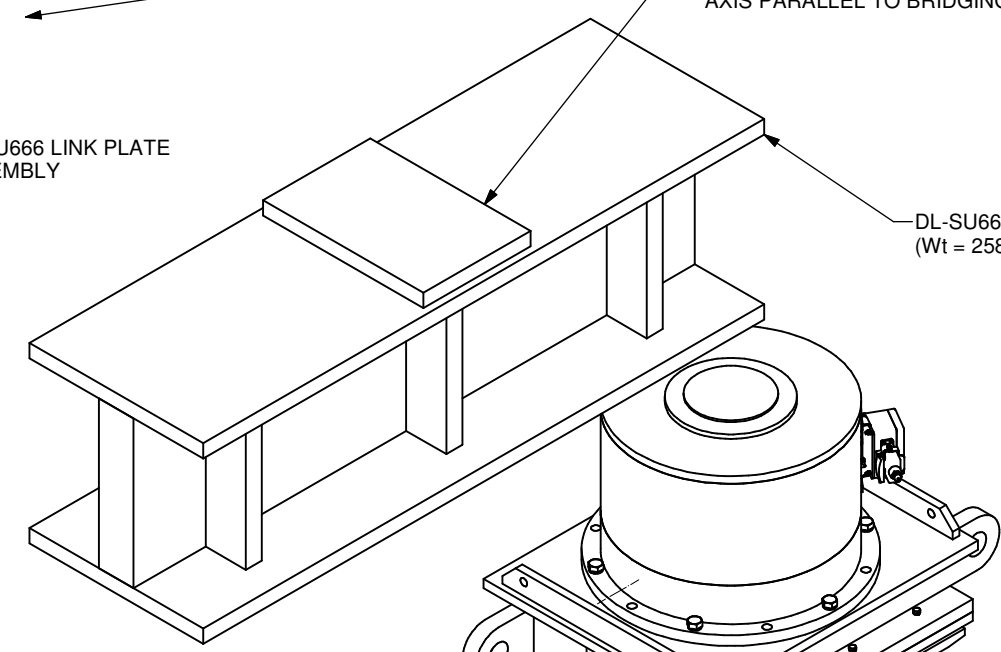
NOTES

SPECIFICATION

VERTICAL LOAD CAPACITY PER SKID UNIT	= 1332t
MAXIMUM LATERAL LOAD	= 5%
MAXIMUM PUSH / PULL PER SKID UNIT	= 100t
WORKING PRESSURES (BAR)	
VERTICAL GRIPPER	= 275 (PUSH) = 193/279 (PUSH/PULL)
MAXIMUM BEARING PRESSURE UNDER TRACK	= 20MPa
LAUNCH SPEED	= 20m/hour
CLOSED HEIGHT	= 890mm
MAXIMUM LIFT HEIGHT	= 150mm
OVERALL CLOSED LENGTH	= 6793mm
OVERALL WIDTH OF SYSTEM	= 800 mm



ISOMETRIC VIEW



EXPLODED ISOMETRIC VIEW

A	11.04.13	INF	INFORMATION	JPF	DNT
Rev	Date	Status	Description	By	Chkd



Dorman Long Technology
Whessoe Technology Centre
Morton Palms, Darlington
Co. Durham, DL1 4WB
United Kingdom
Tel: +44 (0) 1325 390084
Fax: +44 (0) 1325 390054
www.dormanlongtechnology.com

Project
DL-SU666 SKIDDING SYSTEM

Drawing Title
2 x DL-SU666 (1332t CAPACITY)
GENERAL ARRANGEMENT
ISOMETRIC VIEWS

	Design Eng: DNT	Checking Eng: MW
	Drawn by: JPF	Project Eng: DJD

Scales (At A3) AS SHOWN
Drawing Status FOR INFORMATION

Original Drawing size: A3	Drawing No.	Rev.
	DL-SU666-003	A

DO NOT SCALE

This drawing has been produced by Dorman Long Technology in accordance with the instructions of the client for their sole and specific use.

Dorman Long Technology shall not be liable for the use of any information contained on this drawing for any purpose other than that for which it was specifically prepared and provided.

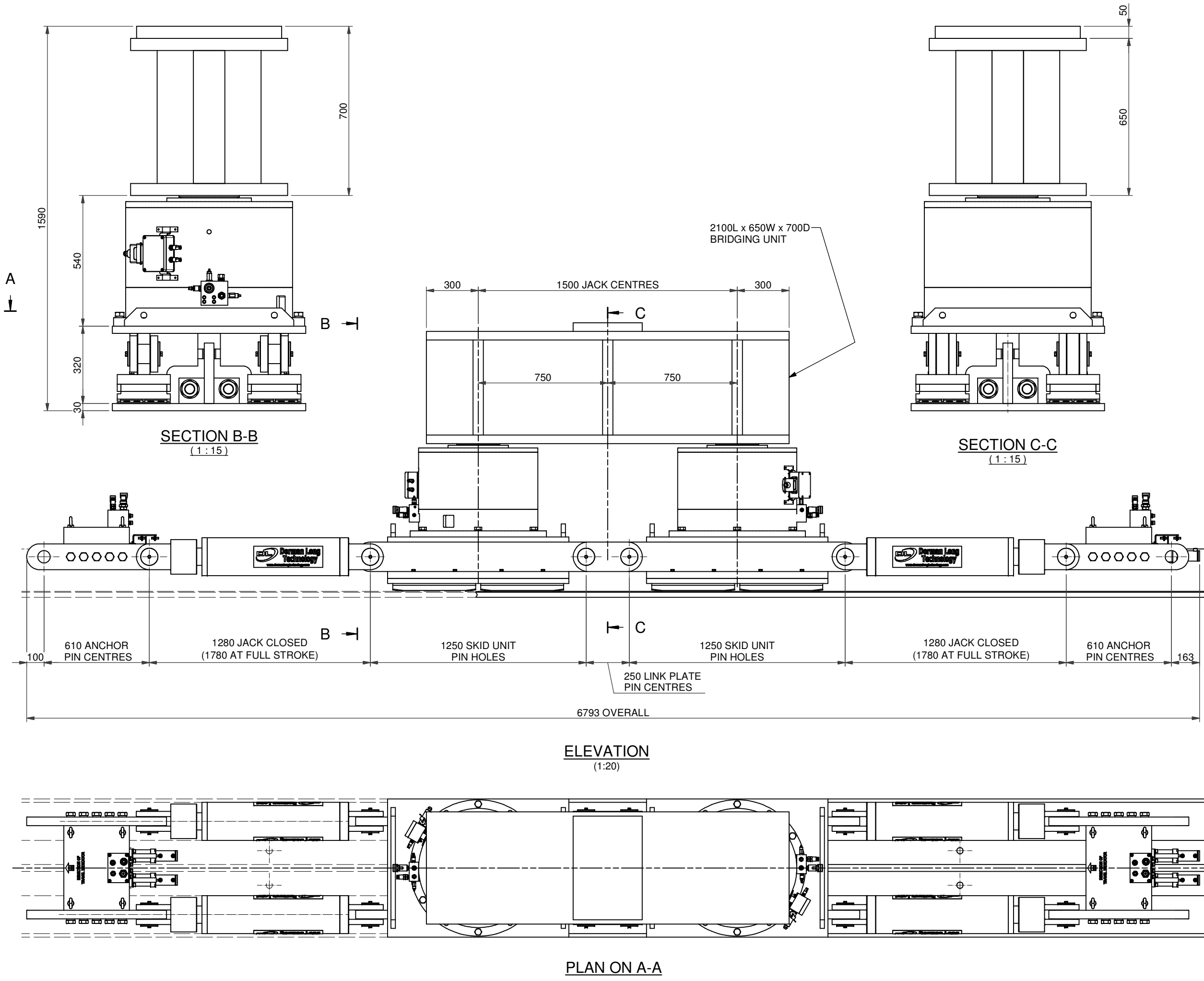
Should there be any doubt regarding the interpretation of any information given on this drawing, enquiries should be directed to Dorman Long Technology at the address given below before executing such part of the works.

Copyright © Dorman Long Technology

NOTES

SPECIFICATION

VERTICAL LOAD CAPACITY PER SKID UNIT	= 1332t
MAXIMUM LATERAL LOAD	= 5%
MAXIMUM PUSH / PULL PER SKID UNIT	= 100t
WORKING PRESSURES (BAR)	
VERTICAL	= 275 (PUSH)
GRIPPER	= 193/279 (PUSH/PULL)
MAXIMUM BEARING PRESSURE UNDER TRACK	= 20MPa
LAUNCH SPEED	= 20m/hour
CLOSED HEIGHT	= 890mm
MAXIMUM LIFT HEIGHT	= 150mm
OVERALL CLOSED LENGTH	= 6793mm
OVERALL WIDTH OF SYSTEM	= 800 mm



A	11.04.13	INF	INFORMATION	JPF	DNT
Rev	Date	Status	Description	By	Chkd

Dorman Long Technology
 Whessoe Technology Centre
 Morton Palms, Darlington
 Co. Durham, DL1 4WB
 United Kingdom
 Tel: +44 (0) 1325 390084
 Fax: +44 (0) 1325 390054
 www.dormanlongtechnology.com

Project
DL-SU666 SKIDDING SYSTEM

Drawing Title
2 x DL-SU666 (1332t CAPACITY)
GENERAL ARRANGEMENT
PLANS & SECTIONS

Design Eng:	DNT	Checking Eng:	MW
Drawn by:	JPF	Project Eng:	DJD

Scales (At A3) AS SHOWN
Original Drawing size: A3
Drawing Status
FOR INFORMATION

Drawing No.	DL-SU666-004	Rev.	A
-------------	--------------	------	---

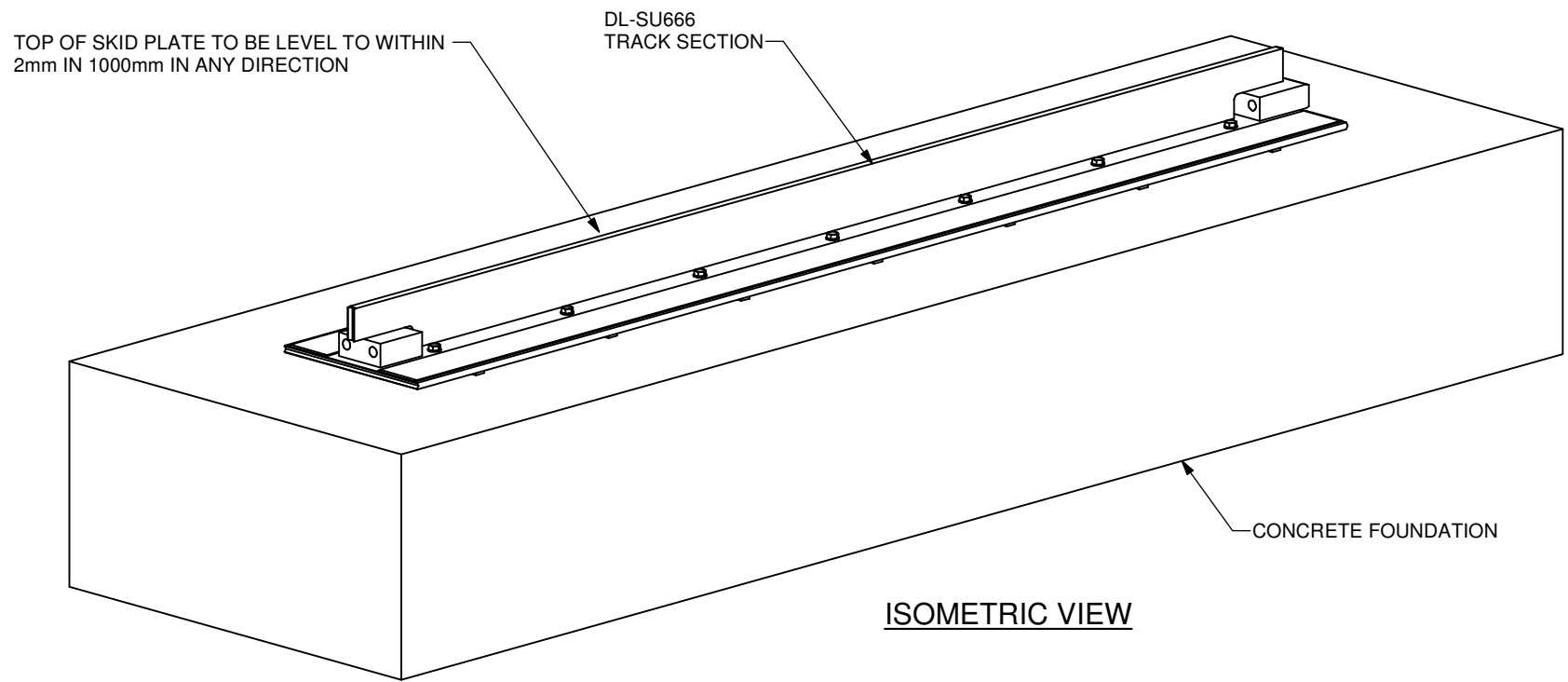
DO NOT SCALE

This drawing has been produced by Dorman Long Technology in accordance with the instructions of the client for their sole and specific use.
 Dorman Long Technology shall not be liable for the use of any information contained on this drawing for any purpose other than that for which it was specifically prepared and provided.
 Should there be any doubt regarding the interpretation of any information given on this drawing, enquiries should be directed to Dorman Long Technology at the address given below before executing such part of the works.

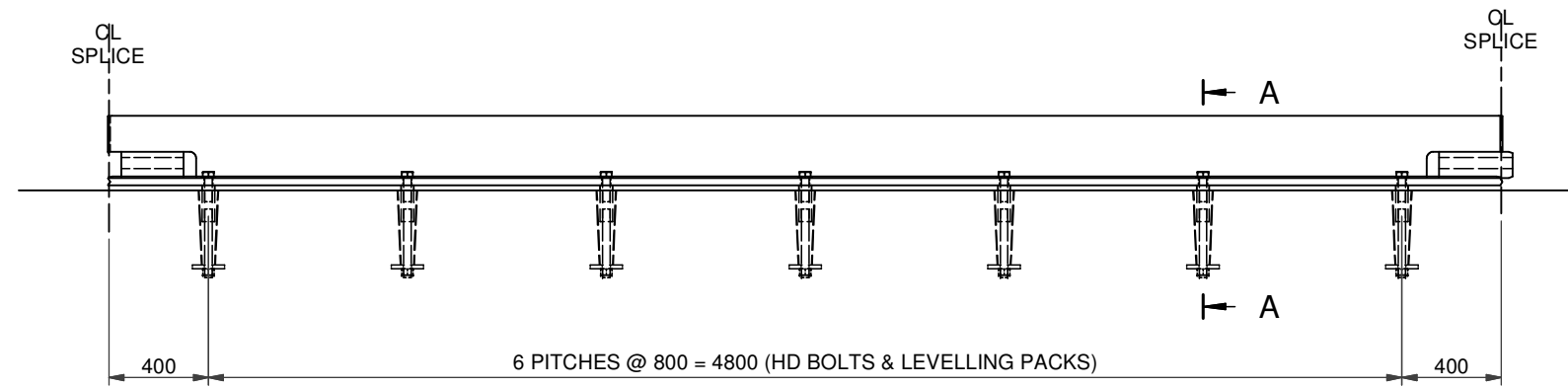
Copyright © Dorman Long Technology

NOTES

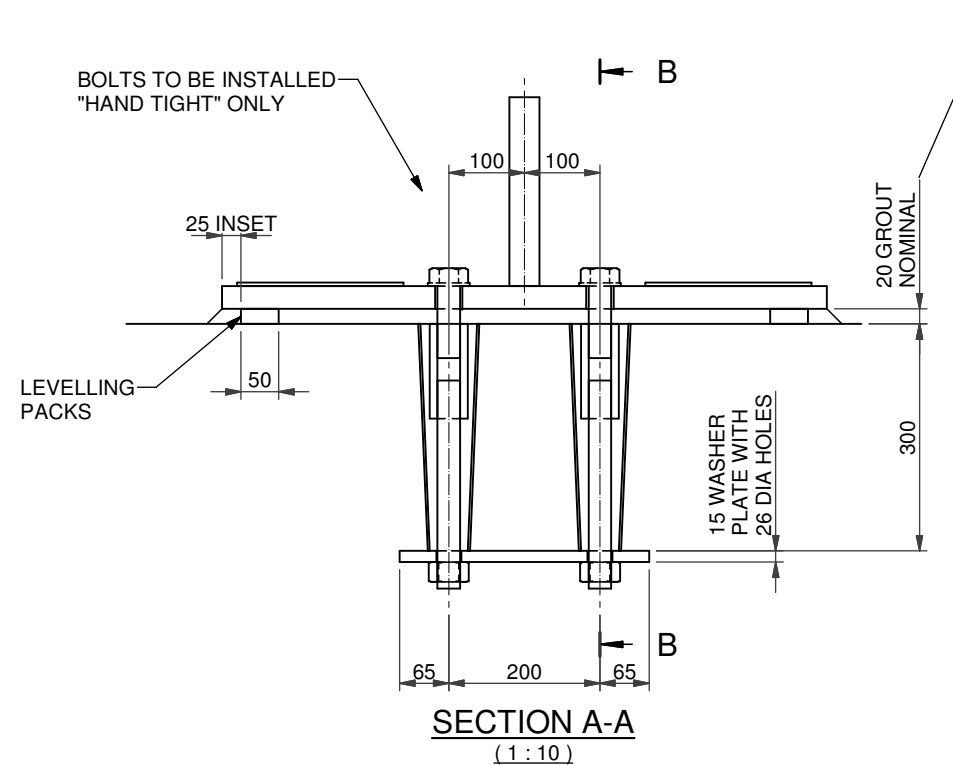
1. MAXIMUM UNFACTORED BEARING PRESSURE UNDER TRACK = 20MPa
2. MAXIMUM UNFACTORED UPLIFT ON EACH HOLDING DOWN BOLT = 120kN



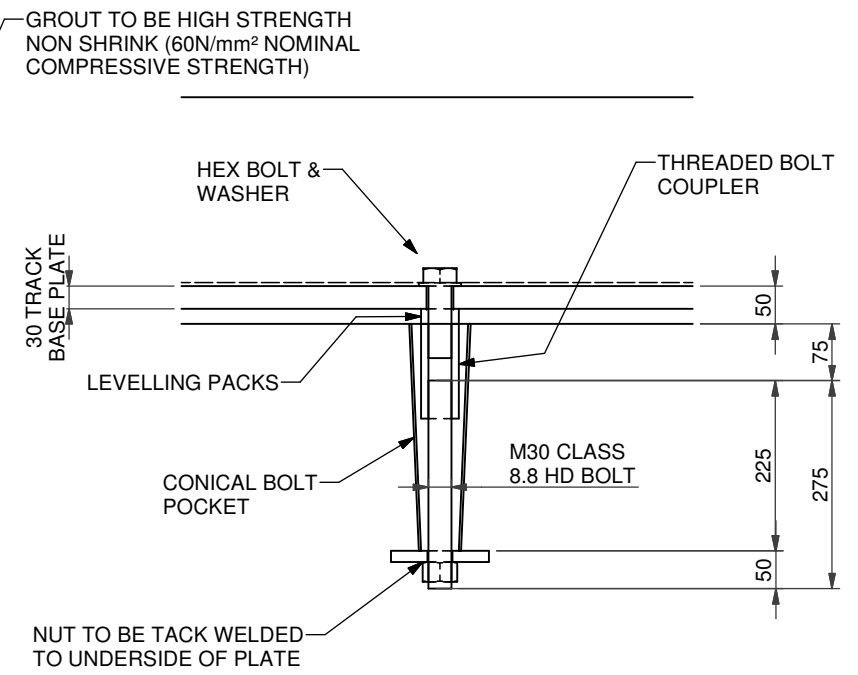
ISOMETRIC VIEW



ELEVATION
(1:30)



SECTION A-A
(1:10)



SECTION B-B

NOTE :
 DETAILS SHOWN IN SECTIONS A-A & B-B ARE FOR CAST IN HD FIXINGS , AS AN ALTERNATIVE HOLES COULD BE DRILLED AND RESIN TYPE ANCHORS USED FOR FIXING.

Rev	Date	Status	DESCRIPTION	By	Chkd
A	09.04.13	INF	INFORMATION	JPF	DNT

Dorman Long Technology
 Whessoe Technology Centre
 Morton Palms, Darlington
 Co. Durham, DL1 4WB
 United Kingdom
 Tel: +44 (0) 1325 390084
 Fax: +44 (0) 1325 390054
 www.dormanlongtechnology.com

Project: DL-SU666 SKIDDING SYSTEM

Drawing Title:
 DL-SU666 SKIDDING SYSTEM
 GENERAL ARRANGEMENT
 DL-SU666 TRACK FIXING - CONCRETE

Design Eng:	DNT	Checking Eng:	MW
Drawn by:	JPF	Project Eng:	DJD

Scales (At A3): AS SHOWN
 Drawing Status: FOR INFORMATION

Original Drawing size: A3
 Drawing No.: DL-SU666-005
 Rev.: A

DO NOT SCALE

This drawing has been produced by Dorman Long Technology in accordance with the instructions of the client for their sole and specific use.

Dorman Long Technology shall not be liable for the use of any information contained on this drawing for any purpose other than that for which it was specifically prepared and provided.

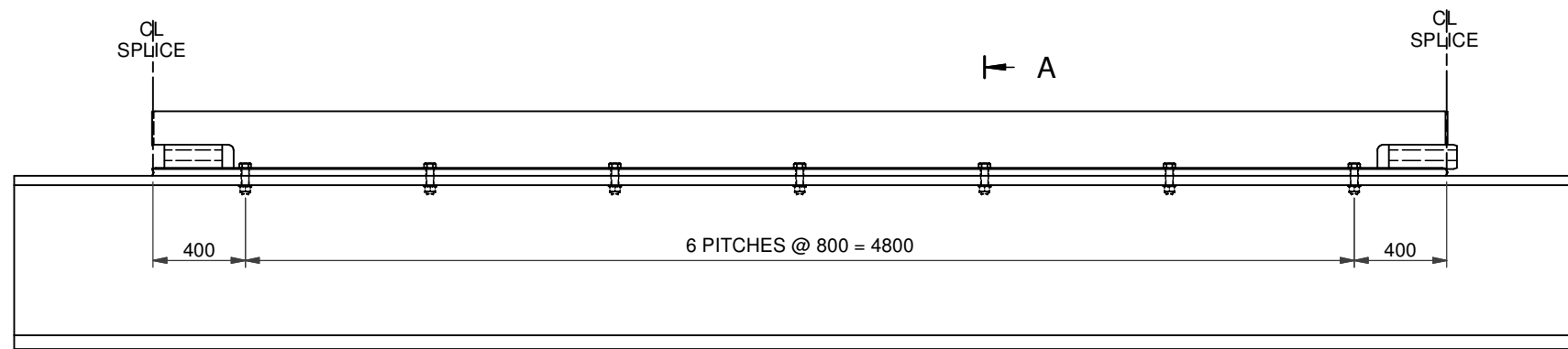
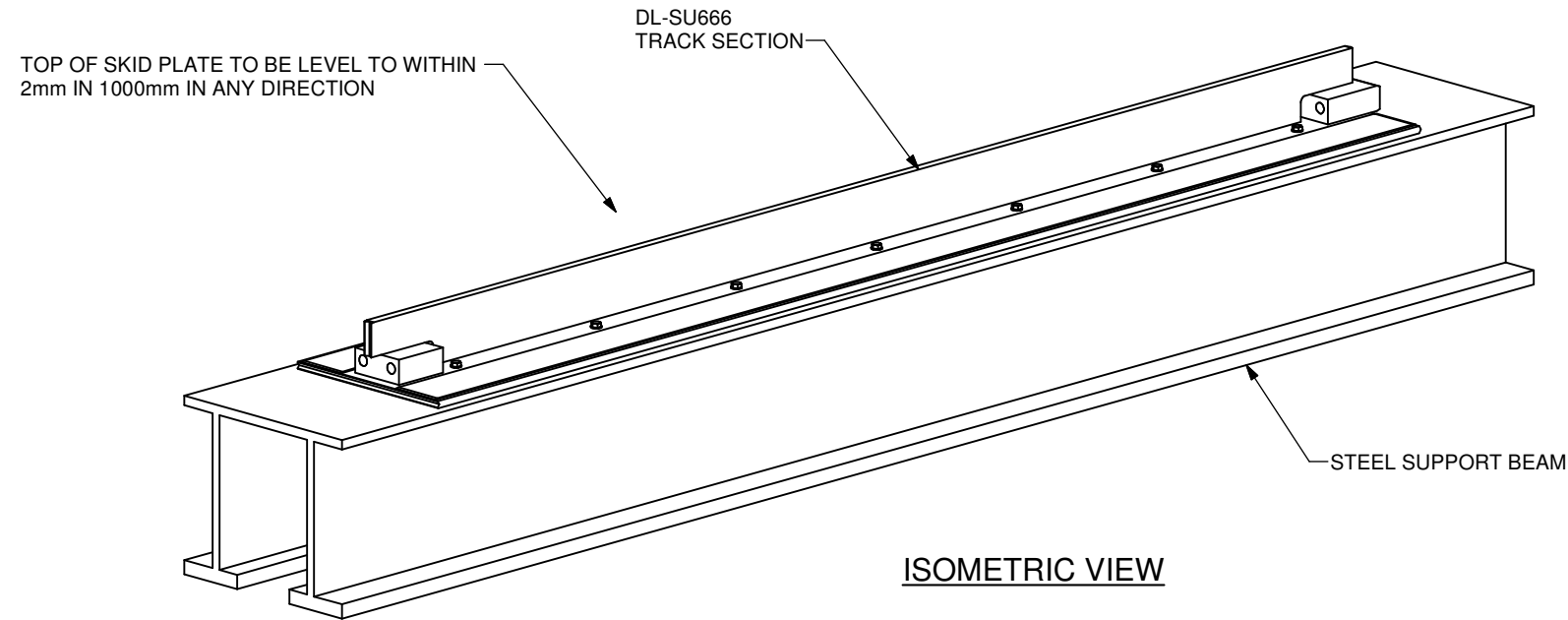
Should there be any doubt regarding the interpretation of any information given on this drawing, enquiries should be directed to Dorman Long Technology at the address given below before executing such part of the works.

Copyright © Dorman Long Technology

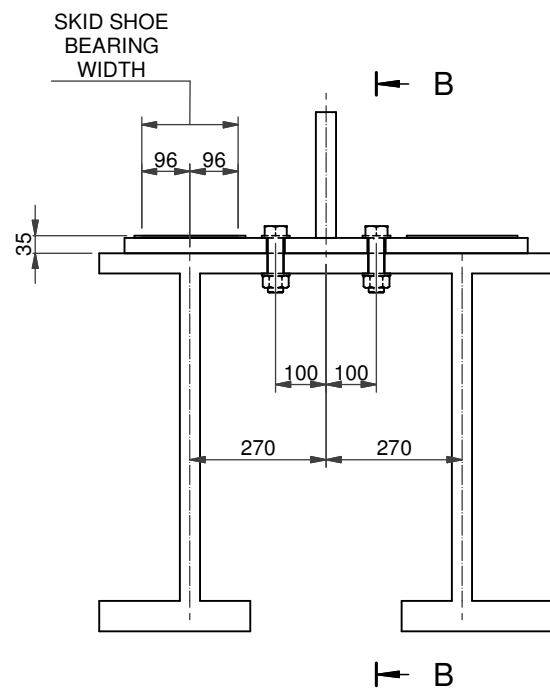
NOTES

1. MAXIMUM UNFACTORED BEARING LOAD UNDER TRACK ABOVE EACH WEB OF STEEL BEAM = 5kN/mm

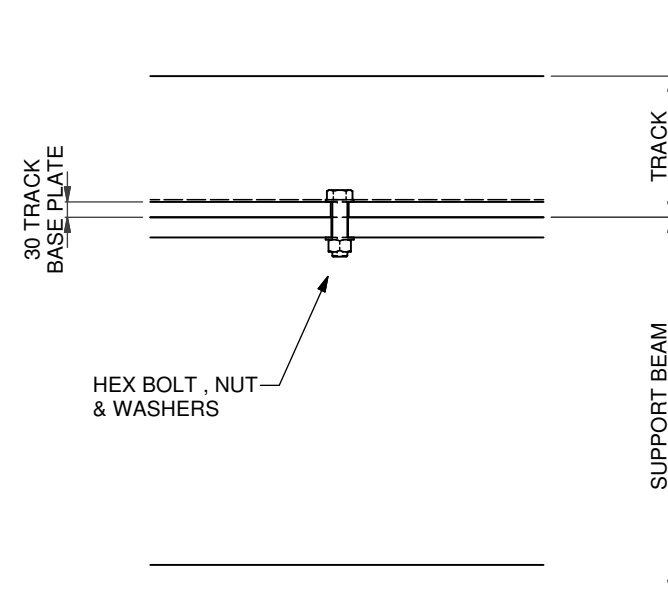
2. MAXIMUM UNFACTORED UPLIFT ON EACH HOLDING DOWN BOLT = 120kN



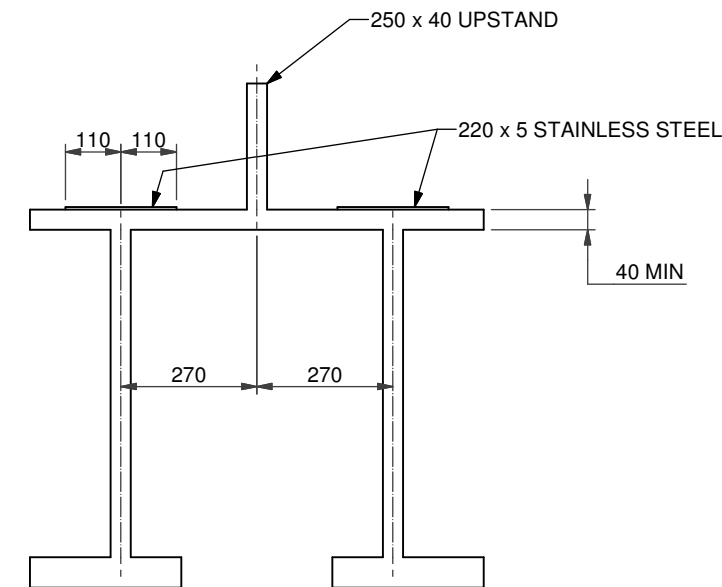
ELEVATION
(1:30)



SECTION A-A
(1:15)



SECTION B-B



ALTERNATIVE DETAIL
TRACK INTEGRATED INTO
STEEL SUPPORT BEAM
(1:15)

Rev	Date	Status	Description	By	Chkd
A	15.04.13	INF	INFORMATION	JPF	DNT



Dorman Long Technology
Whessoe Technology Centre
Morton Palms, Darlington
Co. Durham, DL1 4WB
United Kingdom
Tel: +44 (0) 1325 390084
Fax: +44 (0) 1325 390054
www.dormanlongtechnology.com

Project
DL-SU666 SKIDDING SYSTEM

Drawing Title
DL-SU666 SKIDDING SYSTEM
GENERAL ARRANGEMENT
DL-SU666 TRACK FIXING - STEEL

Design Eng:	DNT	Checking Eng:	MW
Drawn by:	JPF	Project Eng:	DJD

Scales
(At A3)
AS SHOWN

Drawing Status
FOR INFORMATION

Original Drawing size: A3	Drawing No.	Rev.
	DL-SU666-006	A