

DO NOT SCALE

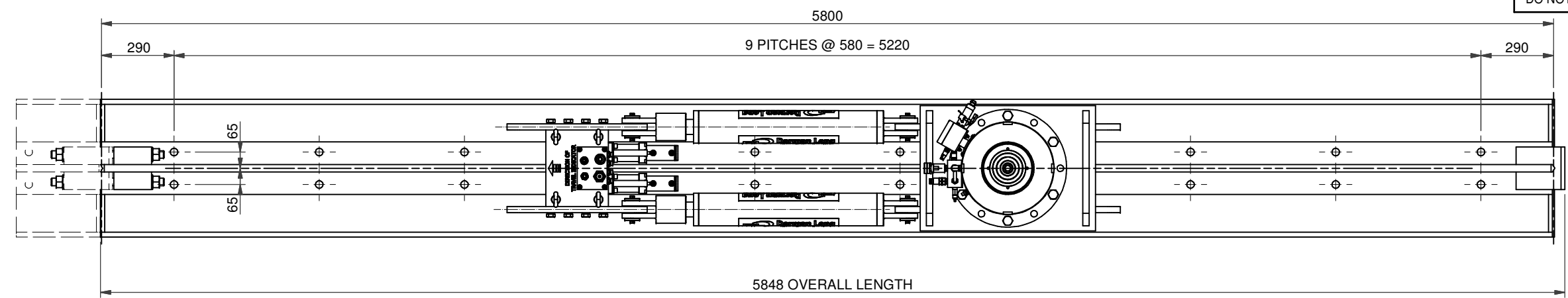
This drawing has been produced by Dorman Long Technology in accordance with the instructions of the client for their sole and specific use.
 Dorman Long Technology shall not be liable for the use of any information contained on this drawing for any purpose other than that for which it was specifically prepared and provided.
 Should there be any doubt regarding the interpretation of any information given on this drawing, enquiries should be directed to Dorman Long Technology at the address given below before executing such part of the works.

Copyright © Dorman Long Technology

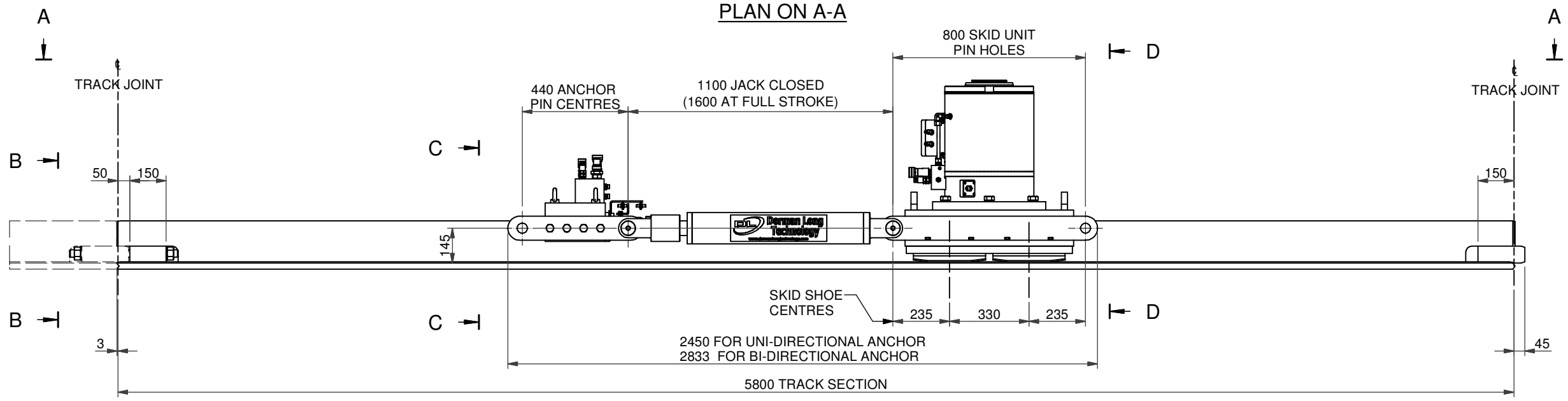
NOTES

SPECIFICATION

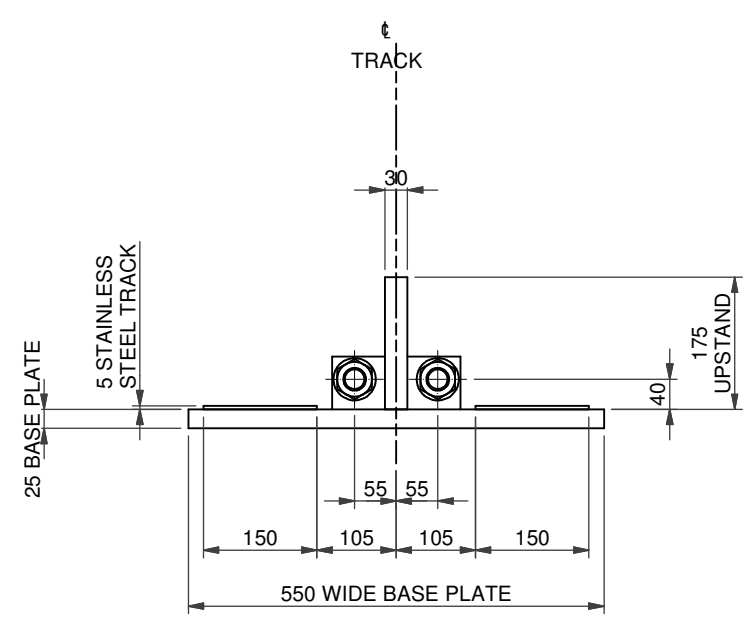
VERTICAL LOAD CAPACITY PER SKID UNIT	= 200t
MAXIMUM LATERAL LOAD	= 5%
MAXIMUM PUSH / PULL PER SKID UNIT	= 30t
WORKING PRESSURES (BAR)	
VERTICAL GRIPPER	= 280 (PUSH) = 170/253 (PUSH/PULL)
MAXIMUM BEARING PRESSURE UNDER TRACK	= 20MPa
LAUNCH SPEED	= 20m/hour
CLOSED HEIGHT	= 785mm
MAXIMUM LIFT HEIGHT	= 150mm
OVERALL CLOSED LENGTH	
- UNI-DIRECTIONAL ANCHOR	= 2450mm
- BI-DIRECTIONAL ANCHOR	= 2833mm
OVERALL WIDTH OF SYSTEM	= 550 mm



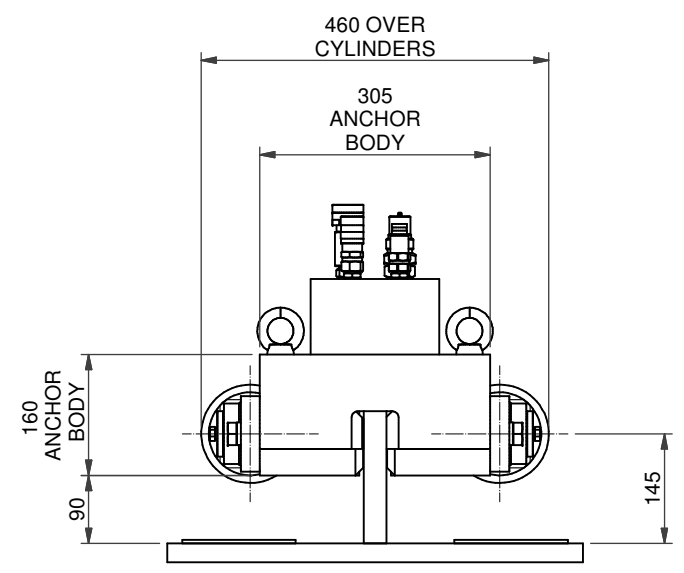
PLAN ON A-A



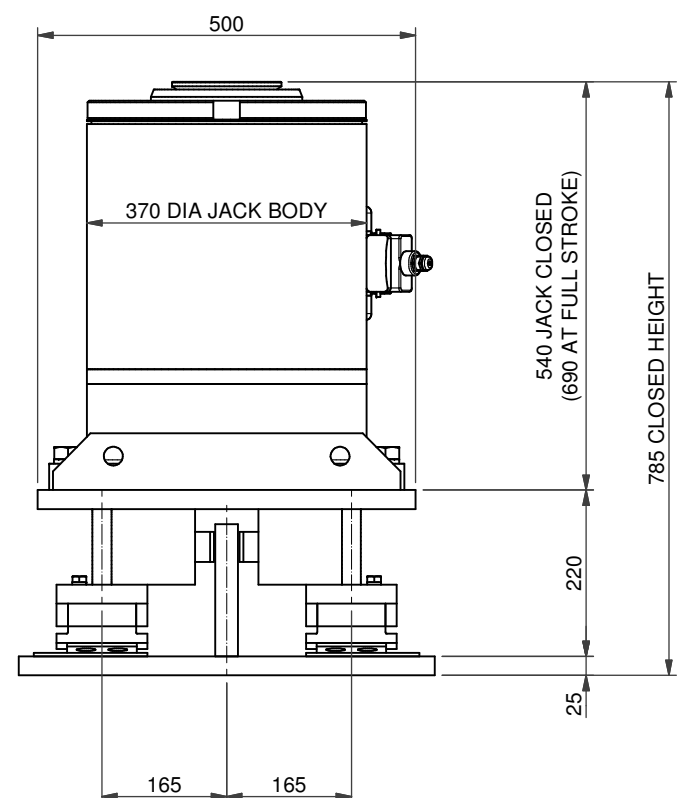
ELEVATION
(1 : 20)



SECTION B-B
(1 : 10)



SECTION C-C
(1 : 10)



SECTION D-D
(1 : 10)

Rev	Date	Status	Description	By	Chkd
A	11.04.13	INF	INFORMATION	JPF	DNT

Dorman Long Technology
 Whessoe Technology Centre
 Morton Palms, Darlington
 Co. Durham, DL1 4WB
 United Kingdom
 Tel: +44 (0) 1325 390084
 Fax: +44 (0) 1325 390054
 www.dormanlongtechnology.com

Project
DL-SU200 SKIDDING SYSTEM

Drawing Title
**DL-SU200 SKIDDING SYSTEM
 GENERAL ARRANGEMENT
 PLANS & SECTIONS**

Scales (At A3) AS SHOWN	Design Eng: DNT	Checking Eng: MW
	Drawn by: JPF	Project Eng: DJD
Drawing Status FOR INFORMATION		

Original Drawing size: A3
 Drawing No. **DL-SU200-002** Rev. **A**

DO NOT SCALE

This drawing has been produced by Dorman Long Technology in accordance with the instructions of the client for their sole and specific use.

Dorman Long Technology shall not be liable for the use of any information contained on this drawing for any purpose other than that for which it was specifically prepared and provided.

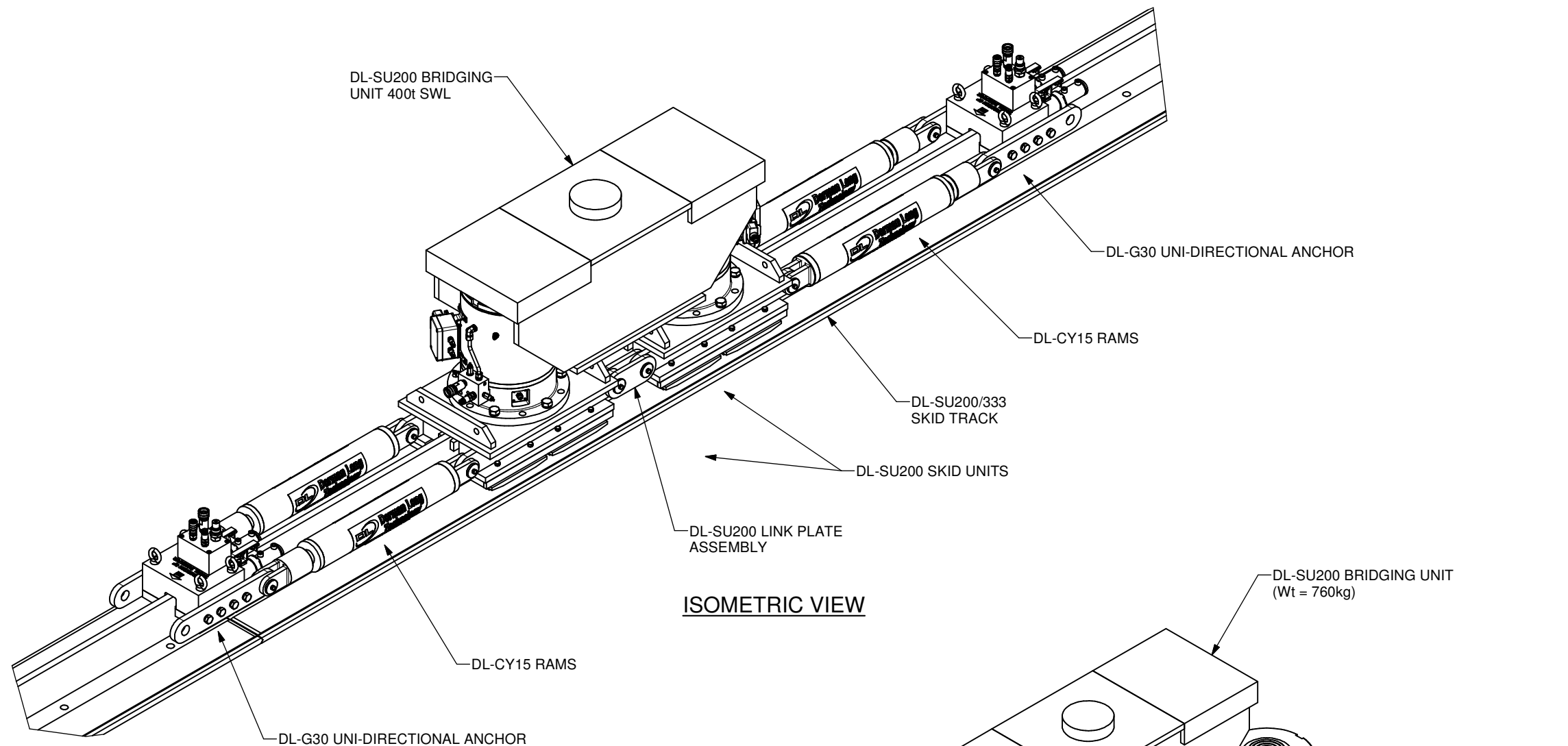
Should there be any doubt regarding the interpretation of any information given on this drawing, enquiries should be directed to Dorman Long Technology at the address given below before executing such part of the works.

Copyright © Dorman Long Technology

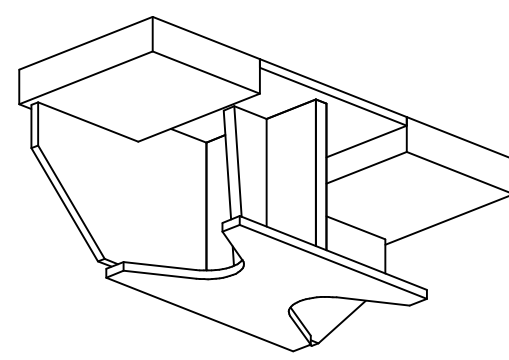
NOTES

SPECIFICATION

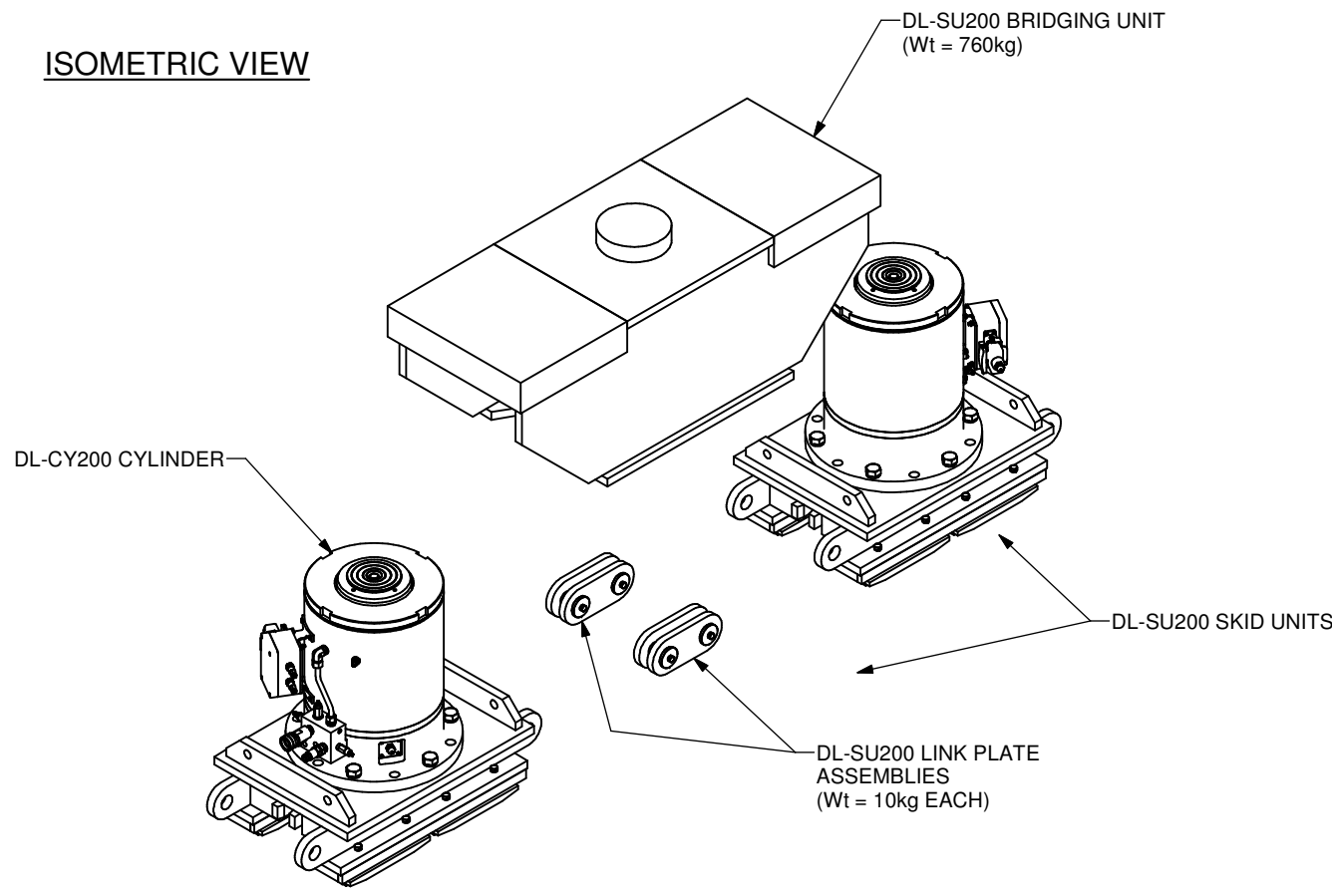
VERTICAL LOAD CAPACITY PER SKID UNIT	= 200t
MAXIMUM LATERAL LOAD	= 5%
MAXIMUM PUSH / PULL PER SKID UNIT	= 30t
WORKING PRESSURES (BAR)	
VERTICAL GRIPPER	= 280 (PUSH) = 170/253 (PUSH/PULL)
MAXIMUM BEARING PRESSURE UNDER TRACK	= 20MPa
LAUNCH SPEED	= 20m/hour
CLOSED HEIGHT	= 785mm
MAXIMUM LIFT HEIGHT	= 150mm
OVERALL CLOSED LENGTH	= 5073mm
OVERALL WIDTH OF SYSTEM	= 550 mm



ISOMETRIC VIEW



CUTAWAY ISOMETRIC VIEW OF BRIDGING UNIT



EXPLODED ISOMETRIC VIEW

Rev	Date	Status	Description	By	Chkd
A	11.04.13	INF	INFORMATION	JPF	DNT



Dorman Long Technology
 Whessoe Technology Centre
 Morton Palms, Darlington
 Co. Durham, DL1 4WB
 United Kingdom
 Tel: +44 (0) 1325 390084
 Fax: +44 (0) 1325 390054
 www.dormanlongtechnology.com

Project
DL-SU200 SKIDDING SYSTEM

Drawing Title
**2 x DL-SU200 (400t CAPACITY)
 GENERAL ARRANGEMENT
 ISOMETRIC VIEWS**

Design Eng:	DNT	Checking Eng:	MW
Drawn by:	JPF	Project Eng:	DJD

Scales (At A3) AS SHOWN
 Drawing Status **FOR INFORMATION**

Original Drawing size: A3	Rev.
Drawing No. DL-SU200-003	A

DO NOT SCALE

This drawing has been produced by Dorman Long Technology in accordance with the instructions of the client for their sole and specific use.

Dorman Long Technology shall not be liable for the use of any information contained on this drawing for any purpose other than that for which it was specifically prepared and provided.

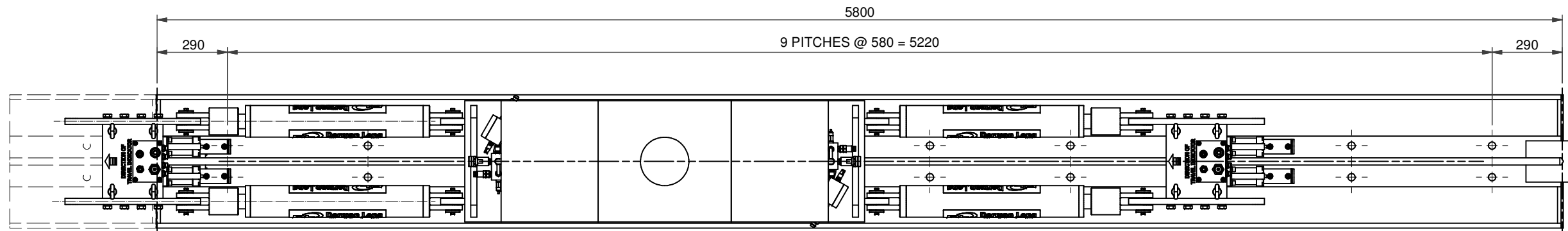
Should there be any doubt regarding the interpretation of any information given on this drawing, enquiries should be directed to Dorman Long Technology at the address given below before executing such part of the works.

Copyright © Dorman Long Technology

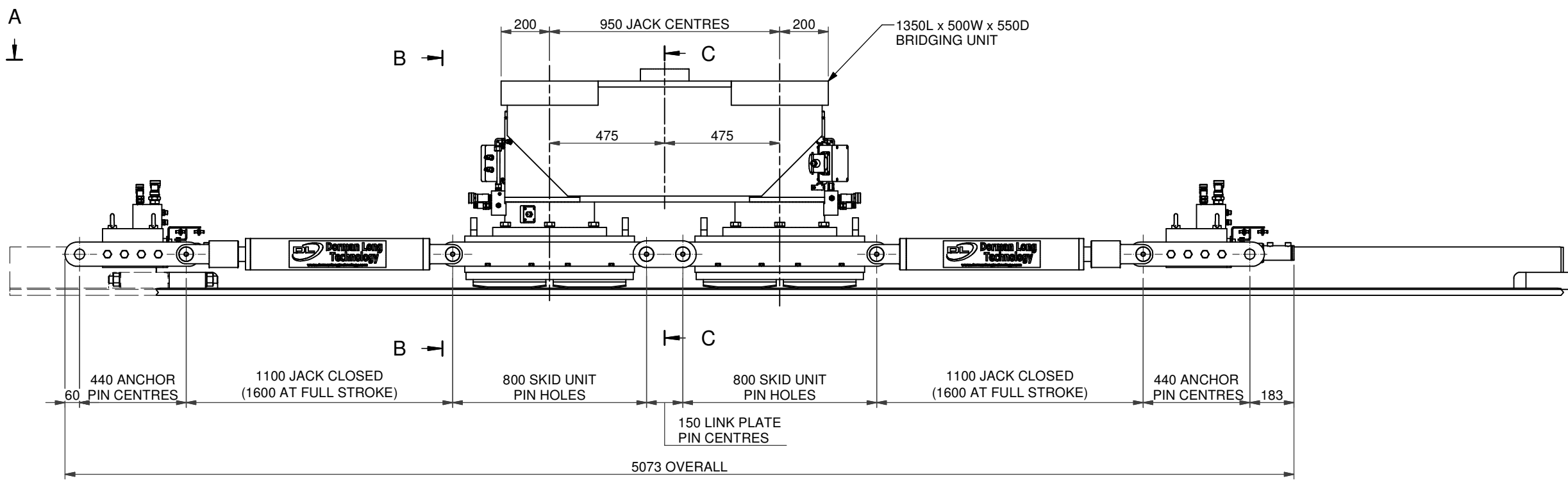
NOTES

SPECIFICATION

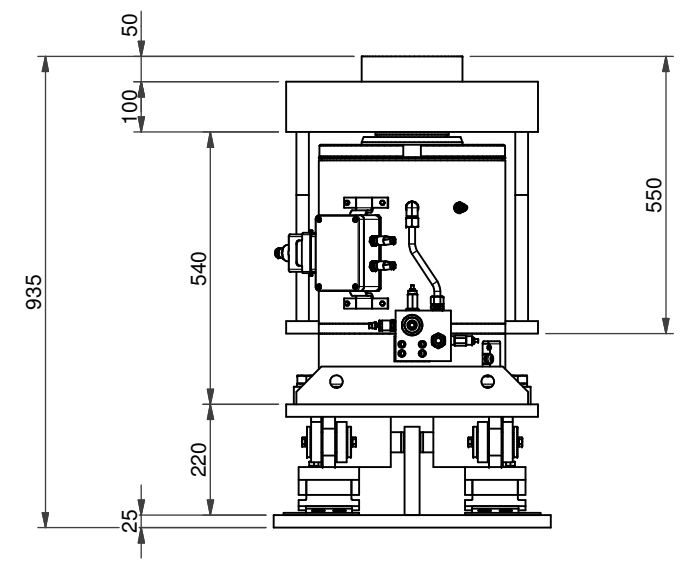
VERTICAL LOAD CAPACITY PER SKID UNIT	= 200t
MAXIMUM LATERAL LOAD	= 5%
MAXIMUM PUSH / PULL PER SKID UNIT	= 30t
WORKING PRESSURES (BAR)	
VERTICAL GRIPPER	= 280 (PUSH) = 170/253 (PUSH/PULL)
MAXIMUM BEARING PRESSURE UNDER TRACK	= 20MPa
LAUNCH SPEED	= 20m/hour
CLOSED HEIGHT	= 785mm
MAXIMUM LIFT HEIGHT	= 150mm
OVERALL CLOSED LENGTH	= 5073mm
OVERALL WIDTH OF SYSTEM	= 550 mm



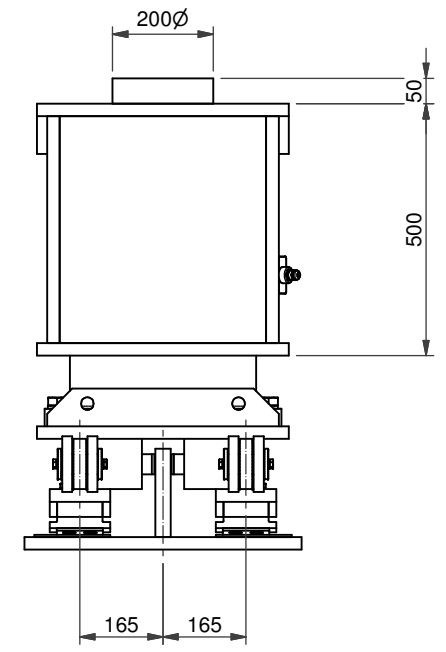
PLAN ON A-A



ELEVATION
(1 : 20)



SECTION B-B
(1 : 15)



SECTION C-C
(1 : 15)

Rev	Date	Status	Description	By	Chkd
A	11.04.13	INF	INFORMATION	JPF	DNT



Dorman Long Technology
Whessoe Technology Centre
Morton Palms, Darlington
Co. Durham, DL1 4WB
United Kingdom
Tel: +44 (0) 1325 390084
Fax: +44 (0) 1325 390054
www.dormanlongtechnology.com

Project
DL-SU200 SKIDDING SYSTEM

Drawing Title
2 x DL-SU200 (400t CAPACITY)
GENERAL ARRANGEMENT
PLANS & SECTIONS

Scales (At A3) AS SHOWN	Design Eng: DNT	Checking Eng: MW
	Drawn by: JPF	Project Eng: DJD
Drawing Status FOR INFORMATION		

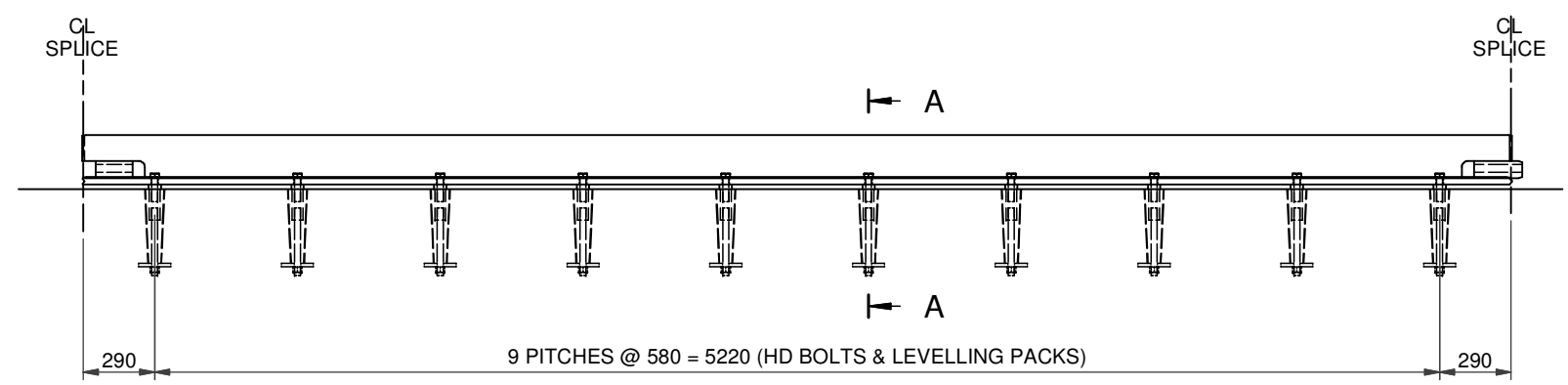
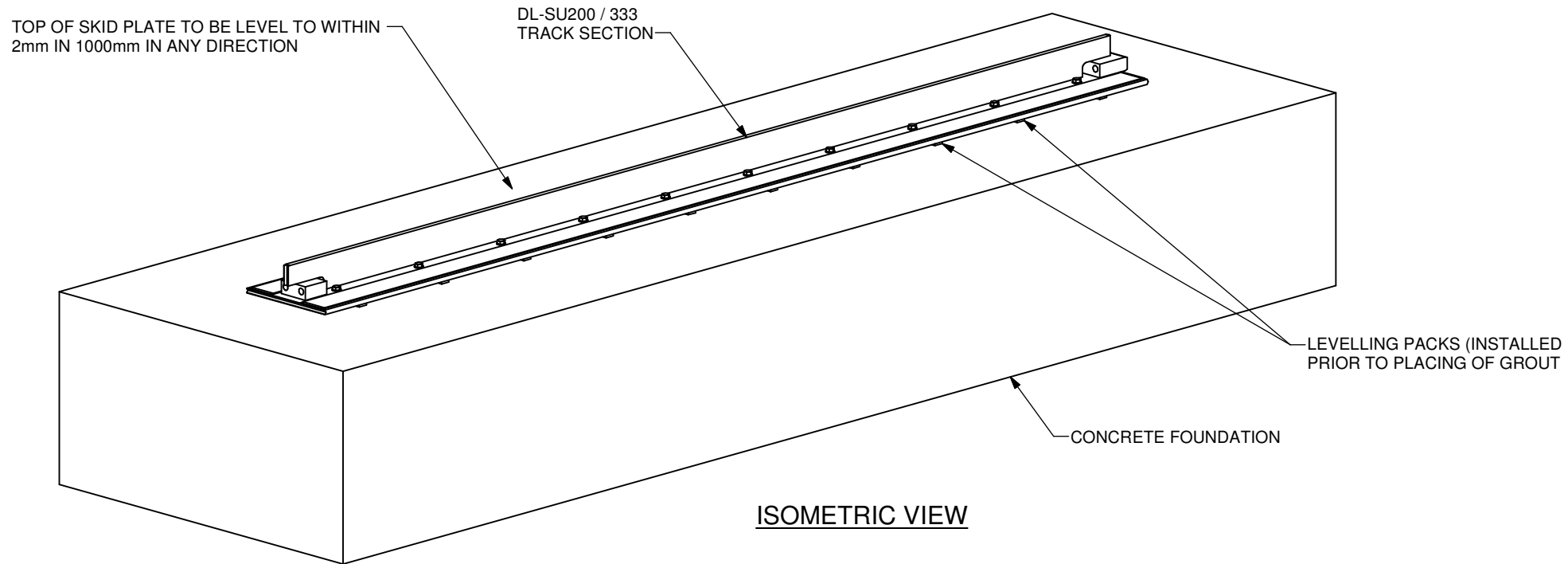
Original Drawing size: A3	Rev.
Drawing No. DL-SU200-004	A

DO NOT SCALE

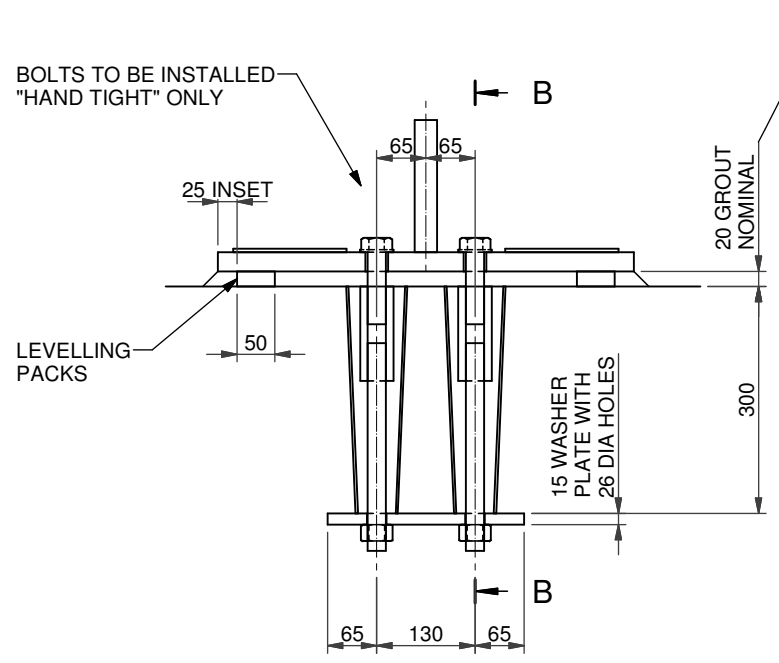
This drawing has been produced by Dorman Long Technology in accordance with the instructions of the client for their sole and specific use.
 Dorman Long Technology shall not be liable for the use of any information contained on this drawing for any purpose other than that for which it was specifically prepared and provided.
 Should there be any doubt regarding the interpretation of any information given on this drawing, enquiries should be directed to Dorman Long Technology at the address given below before executing such part of the works.

Copyright © Dorman Long Technology

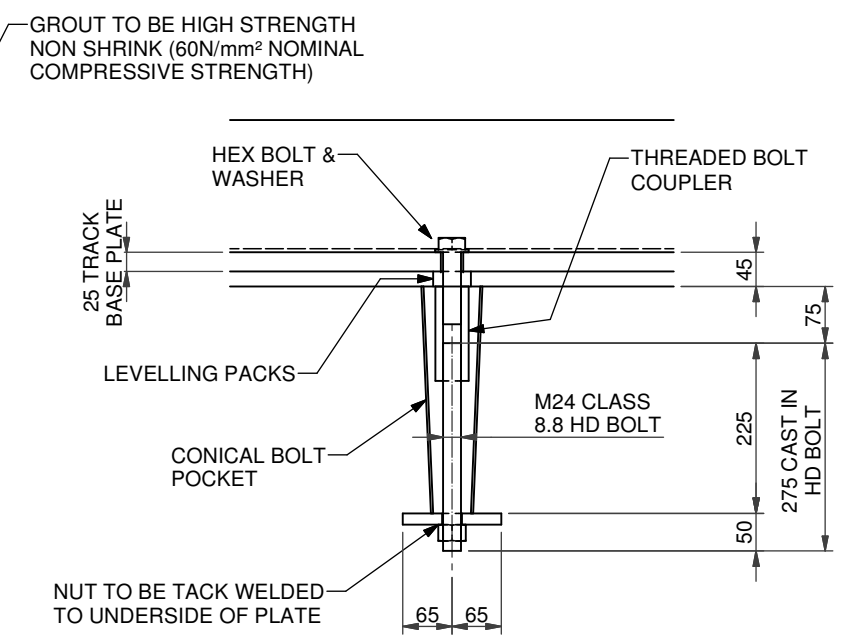
- NOTES**
1. MAXIMUM UNFACTORED BEARING PRESSURE UNDER TRACK = 20MPa
 2. MAXIMUM UNFACTORED UPLIFT ON EACH HOLDING DOWN BOLT = 60kN



ELEVATION
(1:30)



SECTION A-A
(1:10)



SECTION B-B

NOTE :
 DETAILS SHOWN IN SECTIONS A-A & B-B ARE FOR CAST IN HD FIXINGS , AS AN ALTERNATIVE HOLES COULD BE DRILLED AND RESIN TYPE ANCHORS USED FOR FIXING.

Rev	Date	Status	Description	By	Chkd
A	08.04.13	INF	INFORMATION	JPF	DD

Dorman Long Technology
 Whessoe Technology Centre
 Morton Palms, Darlington
 Co. Durham, DL1 4WB
 United Kingdom
 Tel: +44 (0) 1325 390084
 Fax: +44 (0) 1325 390054
 www.dormanlongtechnology.com

Project
DL-SU200 SKIDDING SYSTEM

Drawing Title
**DL-SU200 SKIDDING SYSTEM
 GENERAL ARRANGEMENT
 DL-SU200/333 TRACK FIXING - CONCRETE**

	Design Eng: DNT	Checking Eng: MW
	Drawn by: JPF	Project Eng: DJD
Scales (At A3) AS SHOWN	Drawing Status FOR INFORMATION	

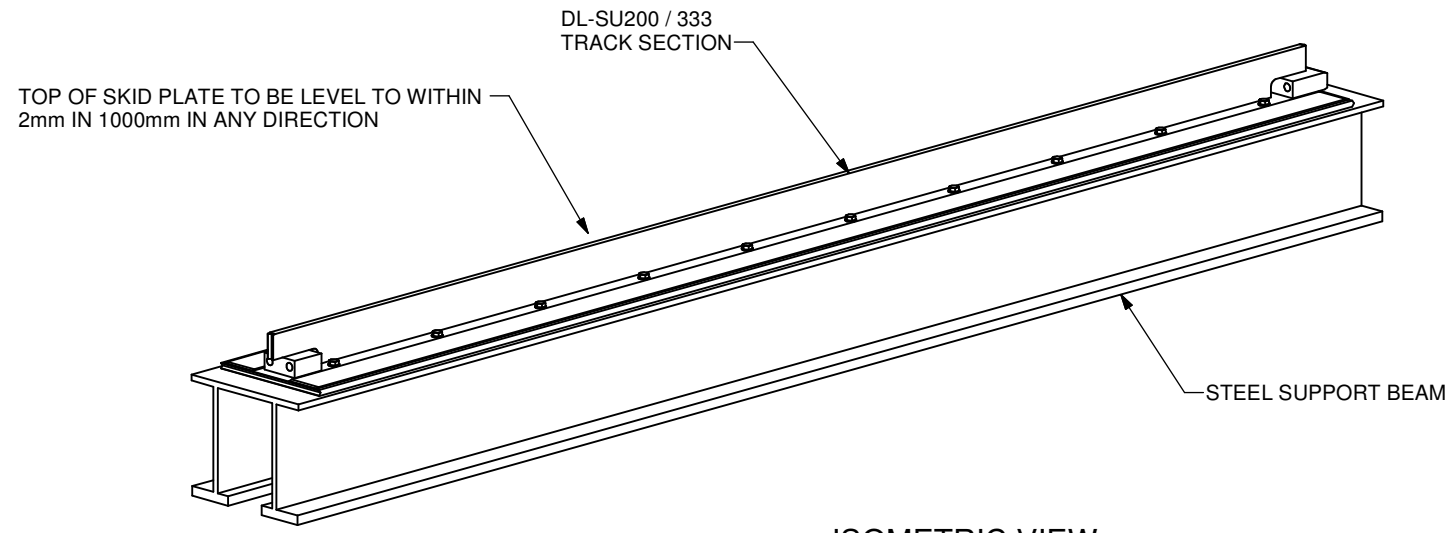
Original Drawing size: A3
 Drawing No. **DL-SU200-005** Rev. **A**

DO NOT SCALE

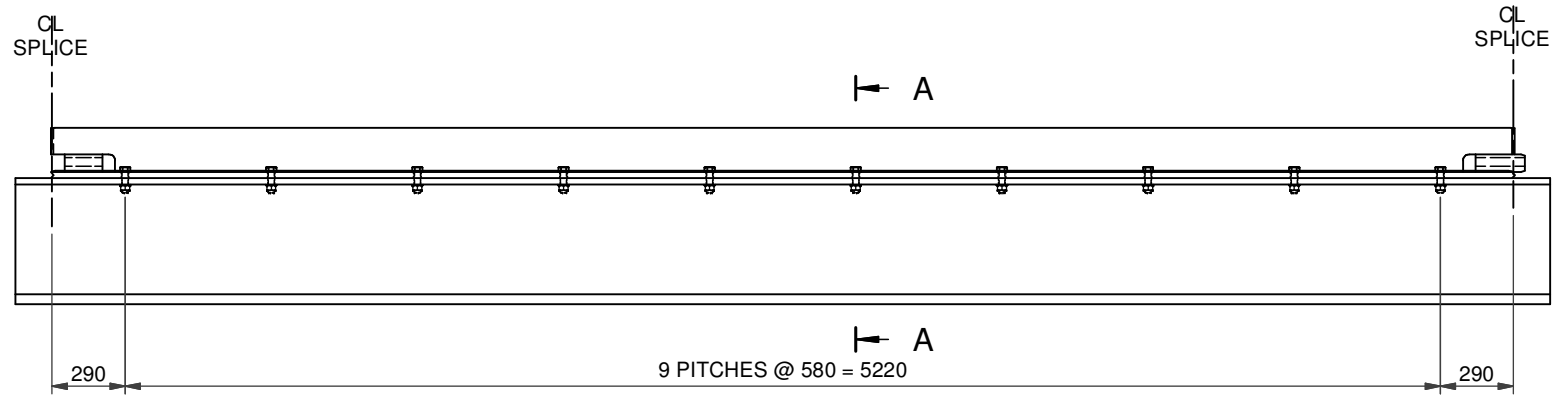
This drawing has been produced by Dorman Long Technology in accordance with the instructions of the client for their sole and specific use.
 Dorman Long Technology shall not be liable for the use of any information contained on this drawing for any purpose other than that for which it was specifically prepared and provided.
 Should there be any doubt regarding the interpretation of any information given on this drawing, enquiries should be directed to Dorman Long Technology at the address given below before executing such part of the works.

Copyright © Dorman Long Technology

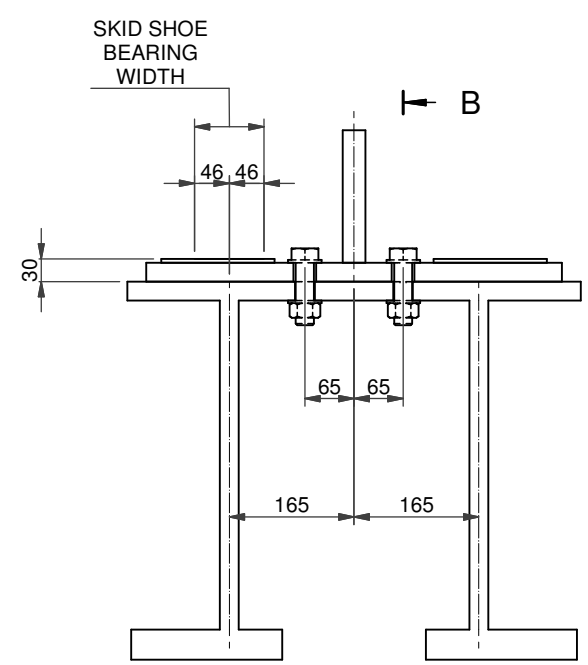
- NOTES**
1. MAXIMUM UNFACTORED BEARING LOAD UNDER TRACK ABOVE EACH WEB OF STEEL BEAM = 3kN/mm
 2. MAXIMUM UNFACTORED UPLIFT ON EACH HOLDING DOWN BOLT = 60kN



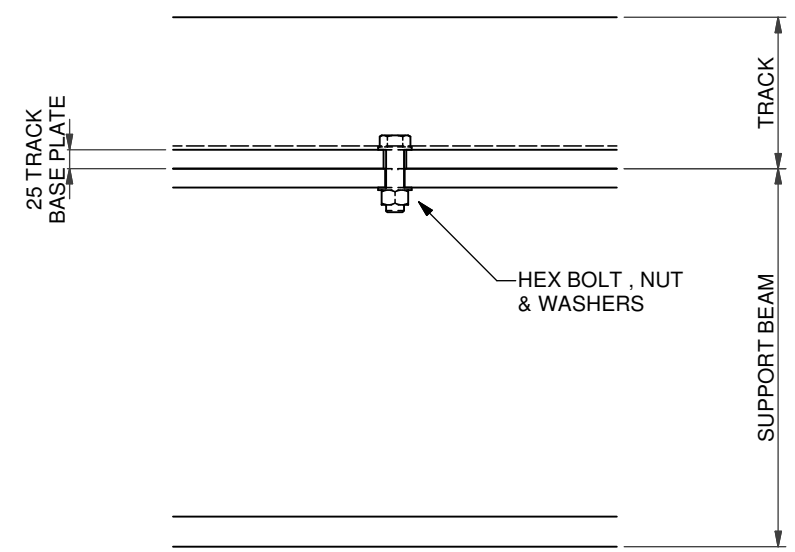
ISOMETRIC VIEW



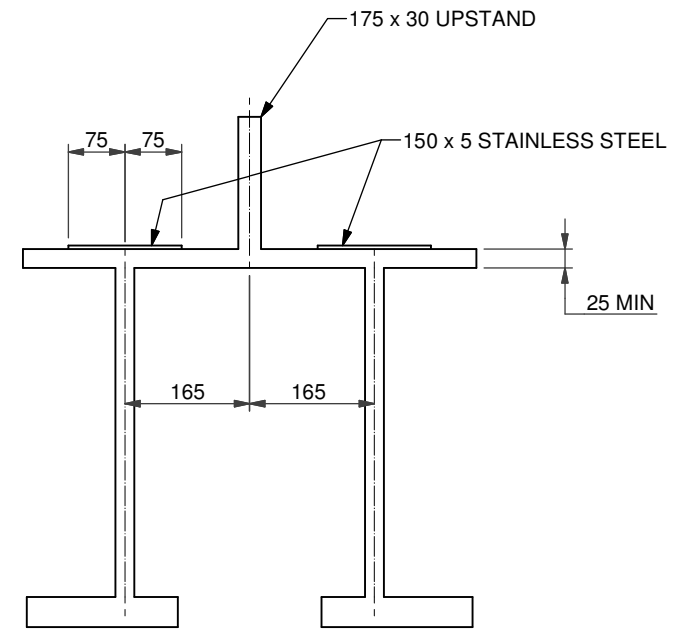
ELEVATION
(1 : 30)



SECTION A-A
(1 : 10)



SECTION B-B



ALTERNATIVE DETAIL
TRACK INTEGRATED INTO
STEEL SUPPORT BEAM
(1 : 10)

Rev	Date	Status	Description	By	Chkd
A	15.04.13	INF	INFORMATION	JPF	DNT

Dorman Long Technology
 Whessoe Technology Centre
 Morton Palms, Darlington
 Co. Durham, DL1 4WB
 United Kingdom
 Tel: +44 (0) 1325 390084
 Fax: +44 (0) 1325 390054
 www.dormanlongtechnology.com

Project
DL-SU200 SKIDDING SYSTEM

Drawing Title
**DL-SU200 SKIDDING SYSTEM
 GENERAL ARRANGEMENT
 DL-SU200/333 TRACK FIXING - STEEL**

Scales (At A3) AS SHOWN	Design Eng: DNT	Checking Eng: MW
	Drawn by: JPF	Project Eng: DJD
Drawing Status FOR INFORMATION		

Original Drawing size: A3
 Drawing No. **DL-SU200-006** Rev. **A**