

DO NOT SCALE

This drawing has been produced by Dorman Long Technology in accordance with the instructions of the client for their sole and specific use.

Dorman Long Technology shall not be liable for the use of any information contained on this drawing for any purpose other than that for which it was specifically prepared and provided.

Should there be any doubt regarding the interpretation of any information given on this drawing, enquiries should be directed to Dorman Long Technology at the address given below before executing such part of the works.

Copyright © Dorman Long Technology

NOTES

SPECIFICATION

DL-CP60 PINNED CLIMBING JACK

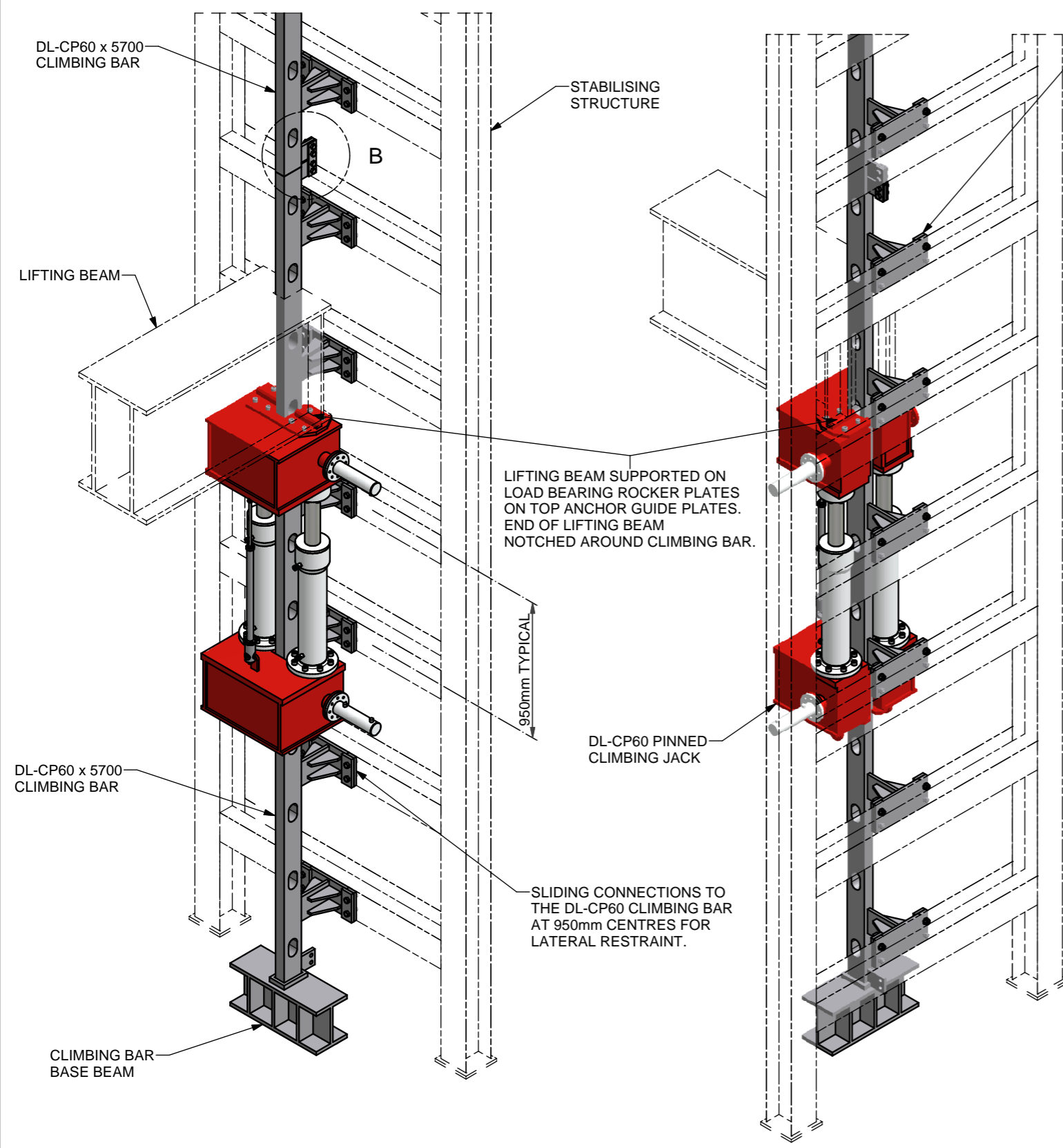
SAFE WORKING LOAD (SWL) (PUSH / PULL)	60 / 23 METRIC TONNES
JACK TEST LOAD (1.25 X SWL) (PUSH / PULL)	75 / 29 METRIC TONNES
CLOSED LENGTH (PIN CENTRES)	1390 mm
OVERALL CLOSED LENGTH	1860 mm
STROKE	550 mm
OPERATING TEMPERATURE	-20 to +40 °C
MAX FULLY EQUIPPED JACK WEIGHT	910 kg.

DL-CY30/11.5-550-283 MAIN CYLINDER (2 No. PER CLIMBING JACK)

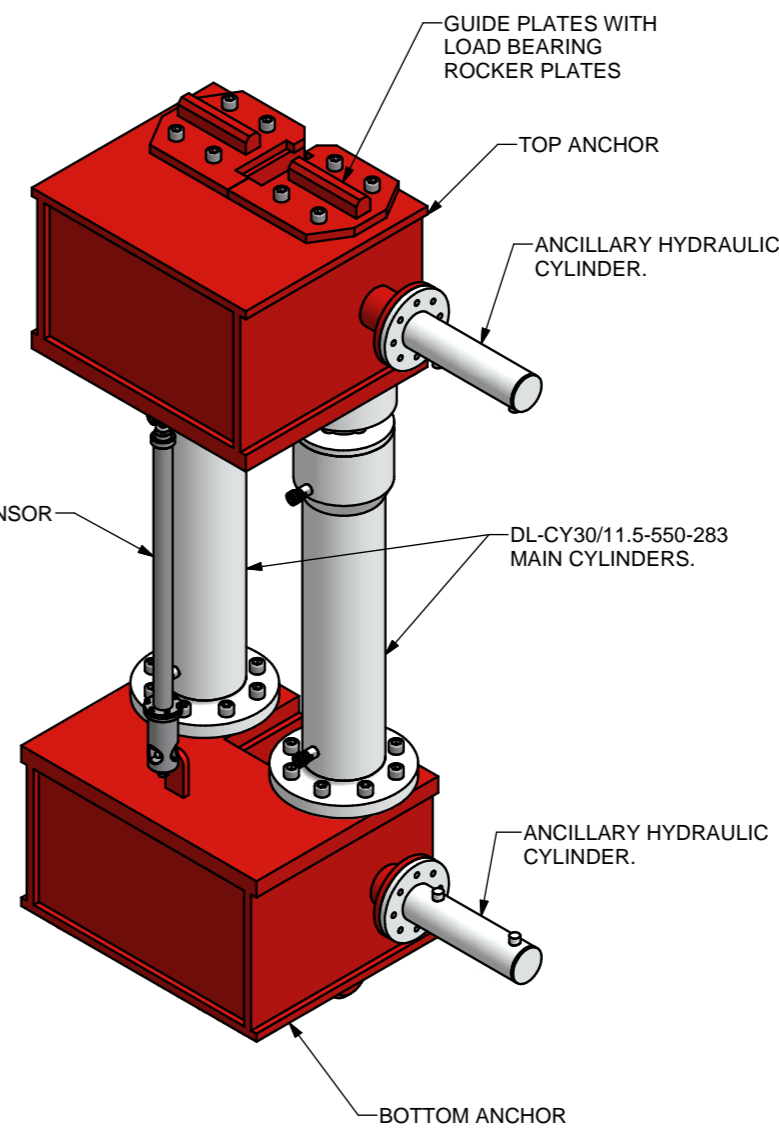
SAFE WORKING LOAD (SWL) (PUSH / PULL)	30 / 11.5 METRIC TONNES
WORKING PRESSURE (PUSH / PULL)	283 BAR
SEALING TEST PRESSURE (1.5 x WORKING PRESSURE) (PUSH / PULL AT END OF STROKE)	425 BAR
CYLINDER CLOSED LENGTH	980 mm
STROKE	550 mm
OPERATING TEMPERATURE	-20 to +40 °C
MAIN CYLINDER WEIGHT	166 kg

DL-CP60 x 5700 CLIMBING BAR

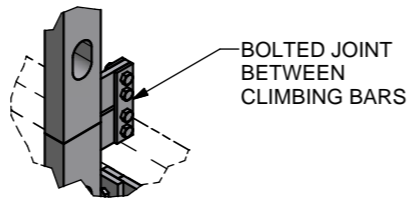
SAFE WORKING LOAD (SWL) (COMPRESSION)	60 METRIC TONNES
OVERALL LENGTH (EACH)	5700 mm
OPERATING TEMP	-20 to +45 °C
WEIGHT (EACH)	525 kg



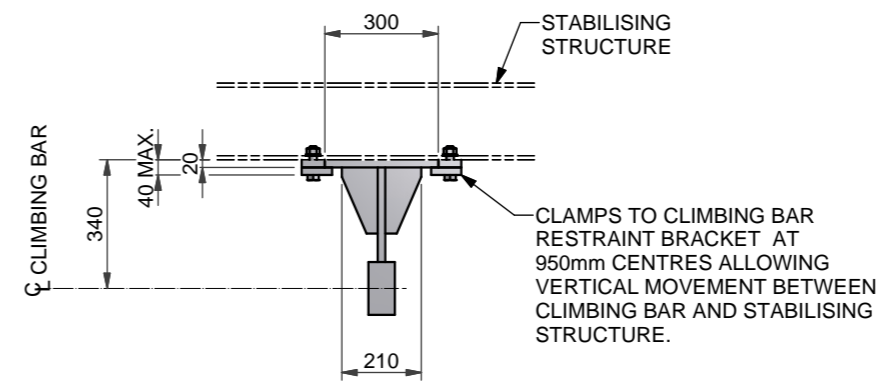
TYPICAL LIFTING ARRANGEMENT



DL-CP60 PINNED CLIMBING JACK



DETAIL B



**DETAIL A
CLIMBING BAR LATERAL RESTRAINT DETAIL
(1 : 20)**

Dorman Long Technology
 The Charles Parker Building,
 Midland Road, Higham Ferrers,
 Northamptonshire, NN10 8DN
 United Kingdom
 Tel: +44 (0) 1933 319133
 Fax: +44 (0) 1933 319135
 www.dormanlongtechnology.com

Project
DL-CP60 PINNED CLIMBING JACK SYSTEM

Drawing Title
**DL-CP60 PINNED CLIMBING JACK
 DL-CP60 x 5700 CLIMBING BAR
 GENERAL ARRANGEMENT**

Design Eng: JM	Checking Eng: SAB
Drawn by: DB	Project Eng: SAB

Scales (At A3) AS SHOWN	Drawing Status INFORMATION
Original Drawing size: A3	

Drawing No. DL-CP60-010-01	Rev. B
--------------------------------------	------------------

DO NOT SCALE

This drawing has been produced by Dorman Long Technology in accordance with the instructions of the client for their sole and specific use.

Dorman Long Technology shall not be liable for the use of any information contained on this drawing for any purpose other than that for which it was specifically prepared and provided.

Should there be any doubt regarding the interpretation of any information given on this drawing, enquiries should be directed to Dorman Long Technology at the address given below before executing such part of the works.

Copyright © Dorman Long Technology

NOTES

SPECIFICATION

DL-CP60 PINNED CLIMBING JACK

SAFE WORKING LOAD (SWL) (PUSH / PULL) 60 / 23 METRIC TONNES

JACK TEST LOAD (1.25 X SWL) (PUSH / PULL) 75 / 29 METRIC TONNES

CLOSED LENGTH (PIN CENTRES) 1390 mm

OVERALL CLOSED LENGTH 1860 mm

STROKE 550 mm

OPERATING TEMPERATURE -20 to +40 °C

MAX FULLY EQUIPPED JACK WEIGHT 910 kg.

DL-CY30/11.5-550-283 MAIN CYLINDER (2 No. PER CLIMBING JACK)

SAFE WORKING LOAD (SWL) (PUSH / PULL) 30 / 11.5 METRIC TONNES

WORKING PRESSURE (PUSH / PULL) 283 BAR

SEALING TEST PRESSURE (1.5 x WORKING PRESSURE) (PUSH / PULL AT END OF STROKE) 425 BAR

CYLINDER CLOSED LENGTH 980 mm

STROKE 550 mm

OPERATING TEMPERATURE -20 to +40 °C

MAIN CYLINDER WEIGHT 166 kg


DL-CP60 x 5700 CLIMBING BAR

SAFE WORKING LOAD (SWL) (COMPRESSION) 60 METRIC TONNES

OVERALL LENGTH (EACH) 5700 mm

OPERATING TEMP -20 to +45 °C


WEIGHT (EACH) 525 kg



Dorman Long Technology
The Charles Parker Building,
Midland Road, Higham Ferrers,
Northamptonshire, NN10 8DN
United Kingdom
Tel: +44 (0) 1933 319133
Fax: +44 (0) 1933 319135
www.dormanlongtechnology.com

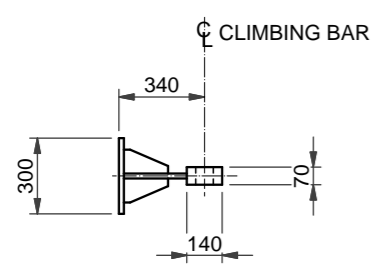
Project
DL-CP60 PINNED CLIMBING JACK SYSTEM

Drawing Title
DL-CP60 PINNED CLIMBING JACK
DL-CP60 x 5700 CLIMBING BAR
GENERAL ARRANGEMENT

	Design Eng: JM	Checking Eng: SAB
	Drawn by: DB	Project Eng: SAB

Scales (At A3) AS SHOWN
Drawing Status
INFORMATION

Original Drawing size: A3
Drawing No. DL-CP60-010-02
Rev. B



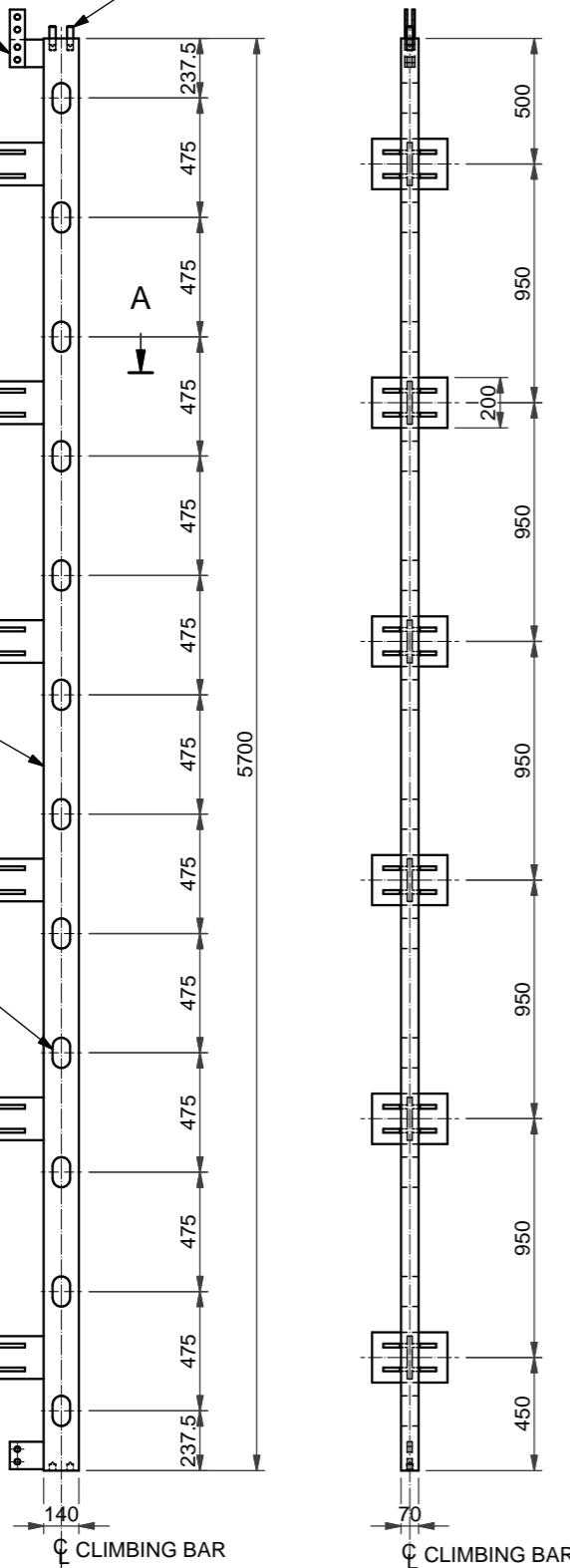
A-A LOCATING PINS

CLIMBING BAR LINK PLATE FOR CONNECTION TO NEXT BAR.

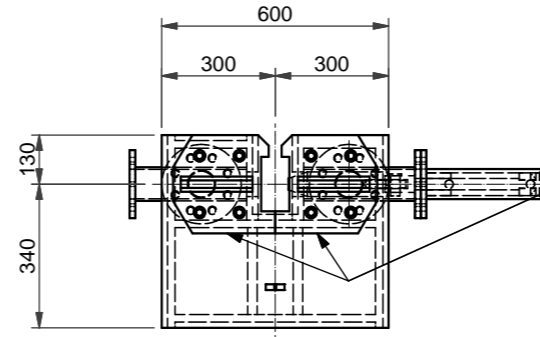
CLIMBING BAR RESTRAINT BRACKET

CLIMBING BAR

Ø70 x 120 PIN HOLE FOR Ø65 MAIN PIN.



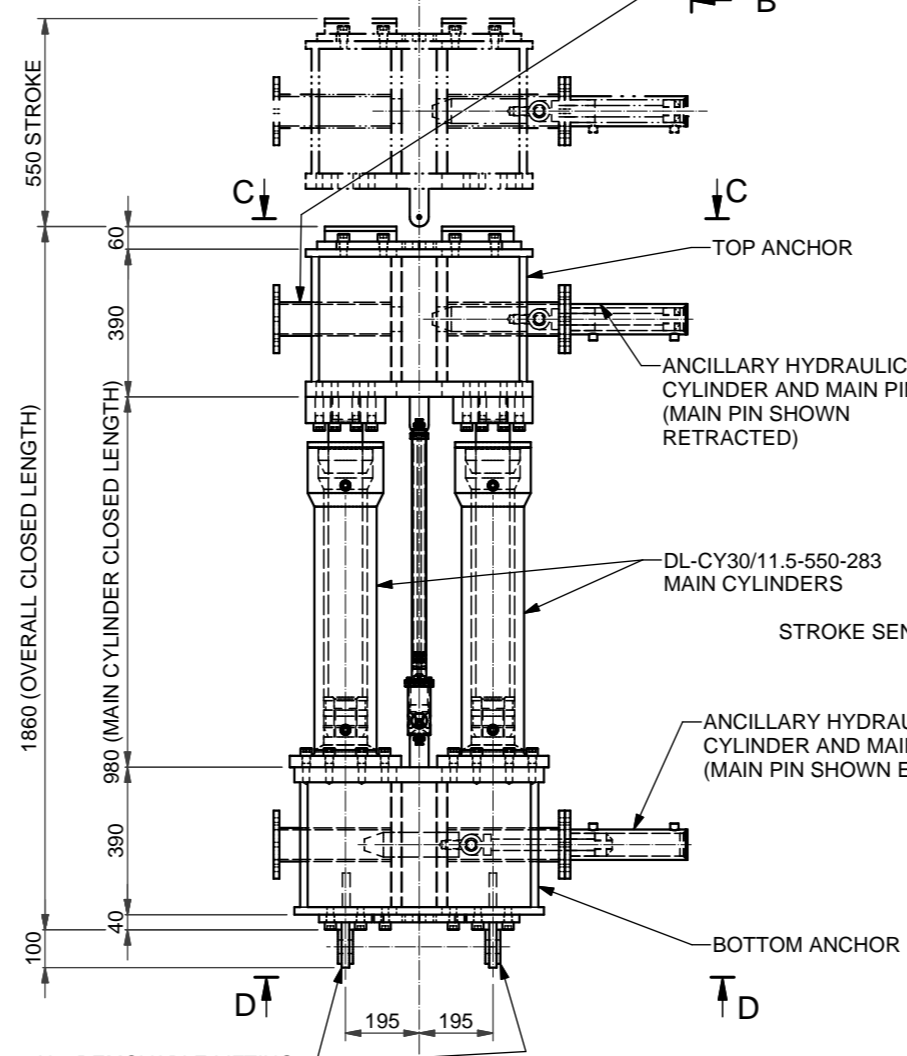
DL-CP60 x 5700 CLIMBING BAR (1:30)



C-C

TOP ANCHOR GUIDE PLATES WITH LOAD BEARING ROCKER PLATES.

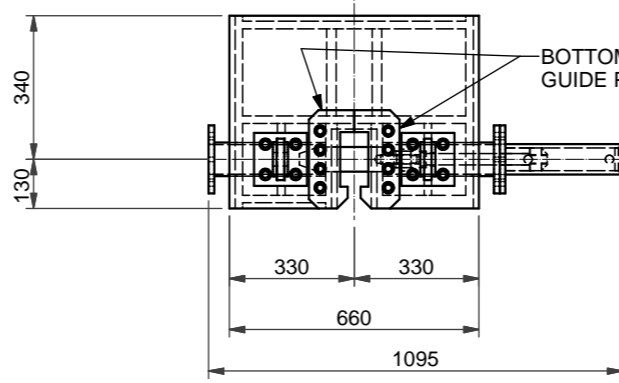
CIRCULAR BRACKET FOR MOUNTING ANCILLARY HYDRAULIC CYLINDER ON EITHER SIDE OF JACK TO SUIT SITE CONDITIONS. ALSO SUITABLE FOR LIFTING/HANDLING COMPLETE JACK.



2 No. REMOVABLE LIFTING LUGS FOR A SUSPENDED LOAD UP TO 23 METRIC TONNE SWL.

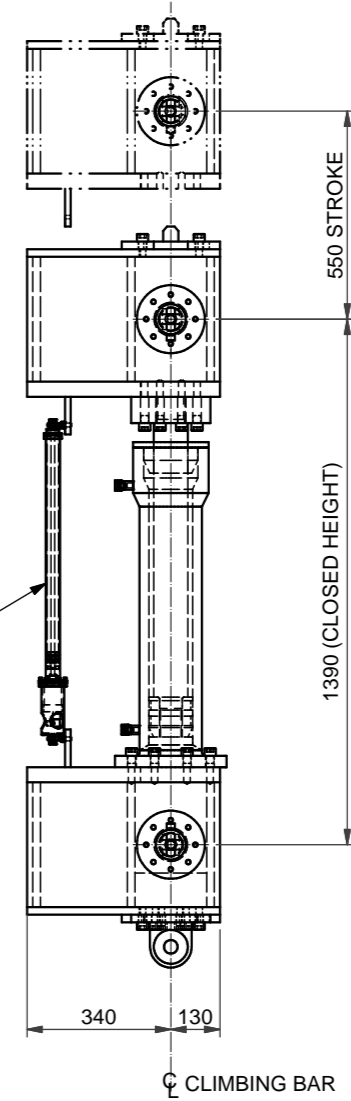
C CLIMBING BAR

D-D



BOTTOM ANCHOR GUIDE PLATES.

DL-CP60 PINNED CLIMBING JACK (1:20)



B-B

C CLIMBING BAR