

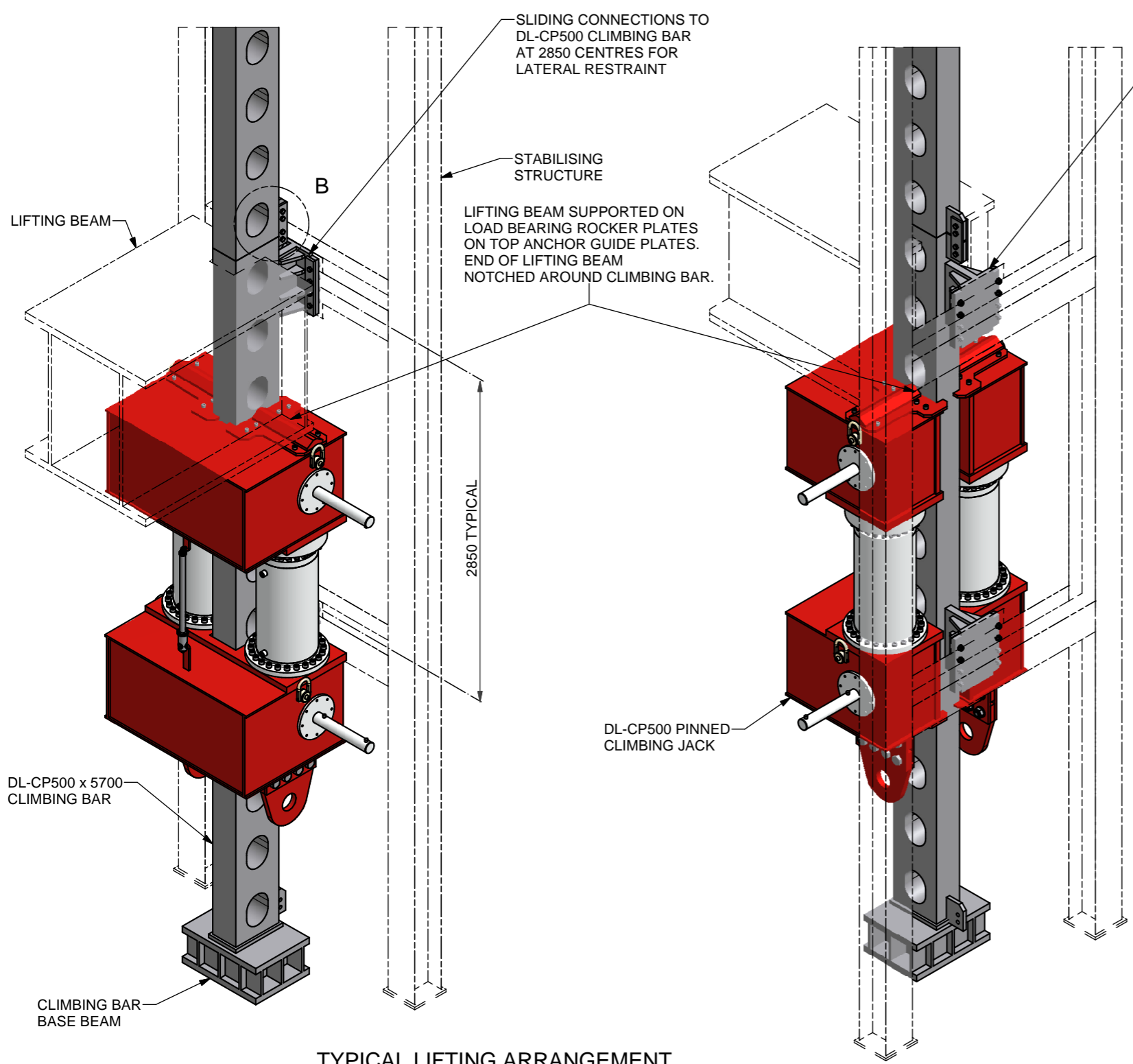
DO NOT SCALE

This drawing has been produced by Dorman Long Technology in accordance with the instructions of the client for their sole and specific use.

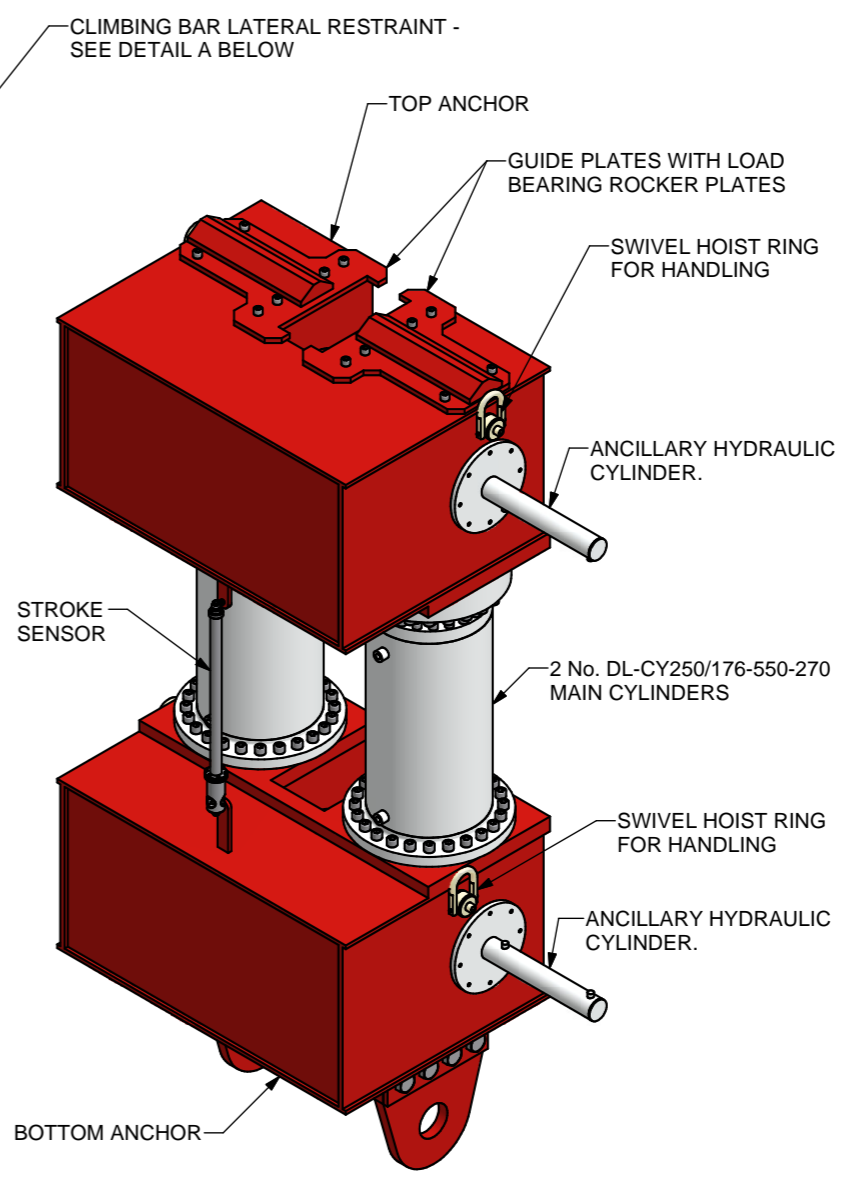
Dorman Long Technology shall not be liable for the use of any information contained on this drawing for any purpose other than that for which it was specifically prepared and provided.

Should there be any doubt regarding the interpretation of any information given on this drawing, enquiries should be directed to Dorman Long Technology at the address given below before executing such part of the works.

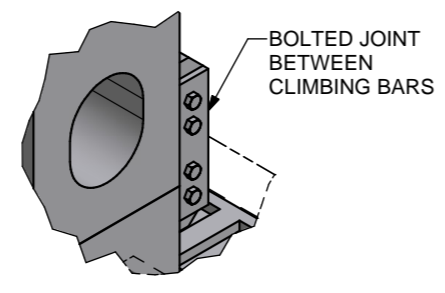
Copyright © Dorman Long Technology



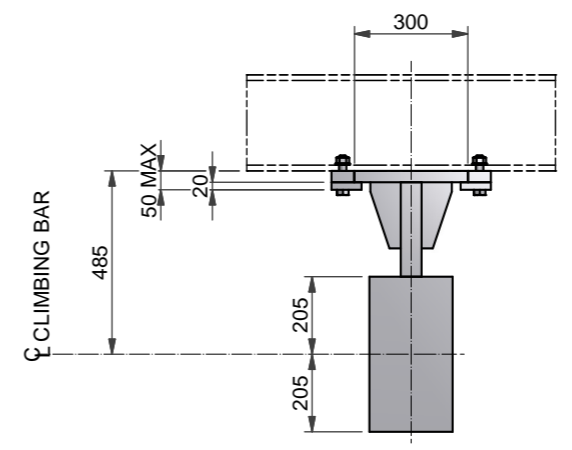
TYPICAL LIFTING ARRANGEMENT



DL-CP500 PINNED CLIMBING JACK



DETAIL B



DETAIL A
CLIMBING BAR LATERAL RESTRAINT DETAIL
(1 : 20)

NOTES

SPECIFICATION

DL-CP500 PINNED CLIMBING JACK	
SAFE WORKING LOAD (SWL) (PUSH / PULL)	500 / 352 METRIC TONNES
JACK TEST LOAD (1.25 X SWL) (PUSH / PULL)	625 / 440 METRIC TONNES
CLOSED LENGTH (PIN CENTRES)	1865 mm
OVERALL CLOSED LENGTH	2790 mm
STROKE	550 mm
OPERATING TEMPERATURE	-20 to +40 °C
MAX FULLY EQUIPPED JACK WEIGHT	5660 kg.
DL-CY250/176-550-270 MAIN CYLINDER (2 No. PER CLIMBING JACK)	
SAFE WORKING LOAD (SWL) (PUSH / PULL)	250 / 176 METRIC TONNES
WORKING PRESSURE (PUSH / PULL)	270 BAR
SEALING TEST PRESSURE (1.5 x WORKING PRESSURE) (PUSH / PULL AT END OF STROKE)	405 BAR
CYLINDER CLOSED LENGTH	1090 mm
STROKE	550 mm
OPERATING TEMPERATURE	-20 to +40 °C
MAIN CYLINDER WEIGHT	950 kg
DL-CP500 x 5700 CLIMBING BAR	
SAFE WORKING LOAD (SWL) (COMPRESSION)	500 METRIC TONNES
OVERALL LENGTH (EACH)	5700 mm
OPERATING TEMP	-20 to +45 °C
WEIGHT (EACH)	3375 kg

Dorman Long Technology
 The Charles Parker Building,
 Midland Road, Higham Ferrers,
 Northamptonshire, NN10 8DN
 United Kingdom
 Tel: +44 (0) 1933 319133
 Fax: +44 (0) 1933 319135
 www.dormanlongtechnology.com

Project
 DL-CP500 PINNED CLIMBING JACK SYSTEM

Drawing Title
 DL-CP500 PINNED CLIMBING JACK
 DL-CP500 x 5700 CLIMBING BAR
 GENERAL ARRANGEMENT

Design Eng: JM	Checking Eng: SAB
Drawn by: SG	Project Eng: SAB

Scales (At A3) AS SHOWN	Drawing Status INFORMATION
----------------------------	--------------------------------------

Original Drawing size: A3	Drawing No. DL-CP500-010-01	Rev. A
---------------------------	--------------------------------	-----------

DO NOT SCALE

This drawing has been produced by Dorman Long Technology in accordance with the instructions of the client for their sole and specific use.
 Dorman Long Technology shall not be liable for the use of any information contained on this drawing for any purpose other than that for which it was specifically prepared and provided.
 Should there be any doubt regarding the interpretation of any information given on this drawing, enquiries should be directed to Dorman Long Technology at the address given below before executing such part of the works.

Copyright © Dorman Long Technology

NOTES

SPECIFICATION

DL-CP500 PINNED CLIMBING JACK

SAFE WORKING LOAD (SWL) (PUSH / PULL)	500 / 352 METRIC TONNES
JACK TEST LOAD (1.25 X SWL) (PUSH / PULL)	625 / 440 METRIC TONNES
CLOSED LENGTH (PIN CENTRES)	1865 mm
OVERALL CLOSED LENGTH	2790 mm
STROKE	550 mm
OPERATING TEMPERATURE	-20 to +40 °C
MAX FULLY EQUIPPED JACK WEIGHT	5660 kg.

DL-CY250/176-550-270 MAIN CYLINDER (2 No. PER CLIMBING JACK)

SAFE WORKING LOAD (SWL) (PUSH / PULL)	250 / 176 METRIC TONNES
WORKING PRESSURE (PUSH / PULL)	270 BAR
SEALING TEST PRESSURE (1.5 x WORKING PRESSURE) (PUSH / PULL AT END OF STROKE)	405 BAR
CYLINDER CLOSED LENGTH	1090 mm
STROKE	550 mm
OPERATING TEMPERATURE	-20 to +40 °C
MAIN CYLINDER WEIGHT	950 kg


DL-CP500 x 5700 CLIMBING BAR

SAFE WORKING LOAD (SWL) (COMPRESSION)	500 METRIC TONNES
OVERALL LENGTH (EACH)	5700 mm
OPERATING TEMP	-20 to +45 °C
WEIGHT (EACH)	3375 kg

Dorman Long Technology
 The Charles Parker Building,
 Midland Road, Higham Ferrers,
 Northamptonshire, NN10 8DN
 United Kingdom
 Tel: +44 (0) 1933 319133
 Fax: +44 (0) 1933 319135
 www.dormanlongtechnology.com

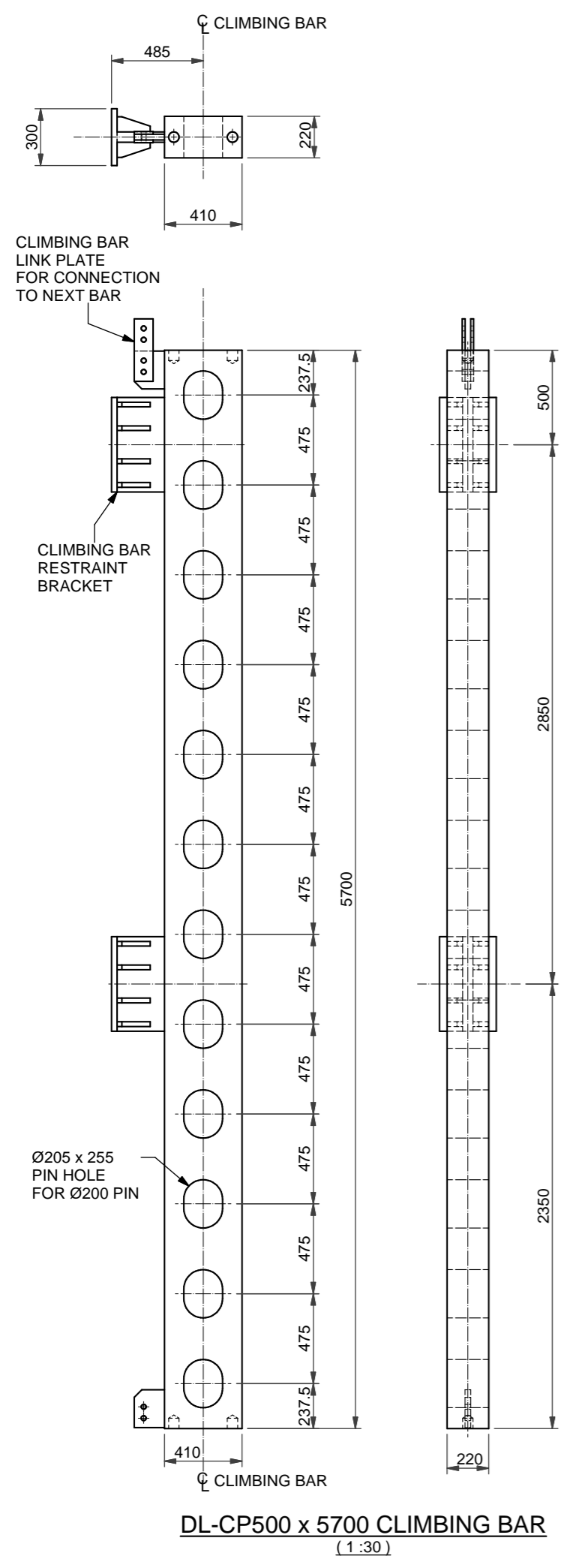
Project
 DL-CP500 PINNED CLIMBING JACK SYSTEM

Drawing Title
 DL-CP500 PINNED CLIMBING JACK
 DL-CP500 x 5700 CLIMBING BAR
 GENERAL ARRANGEMENT

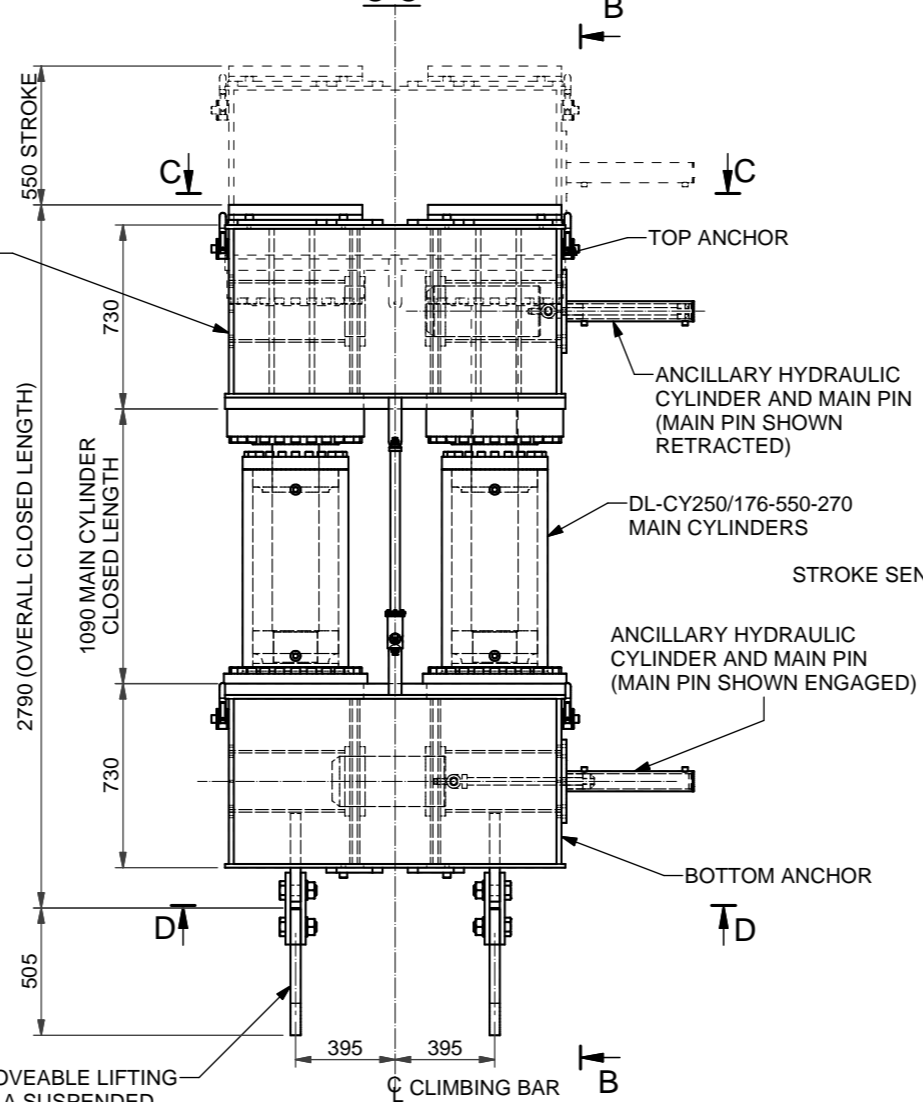
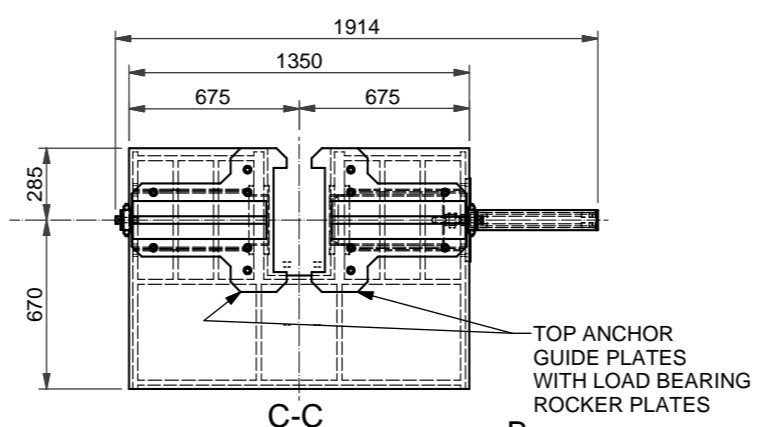
	Design Eng: JM	Checking Eng: SAB
	Drawn by: SG	Project Eng: SAB

Scales (At A3) AS SHOWN	Drawing Status INFORMATION
----------------------------	-------------------------------

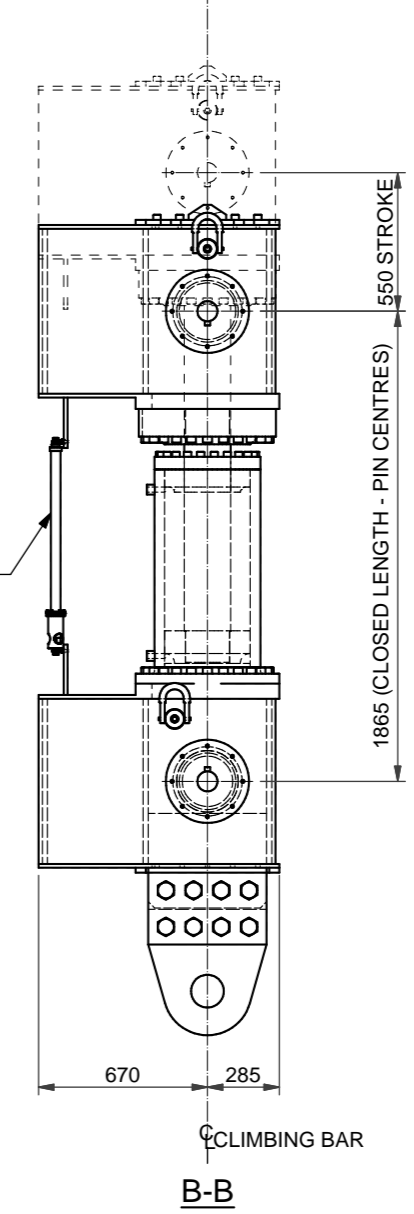
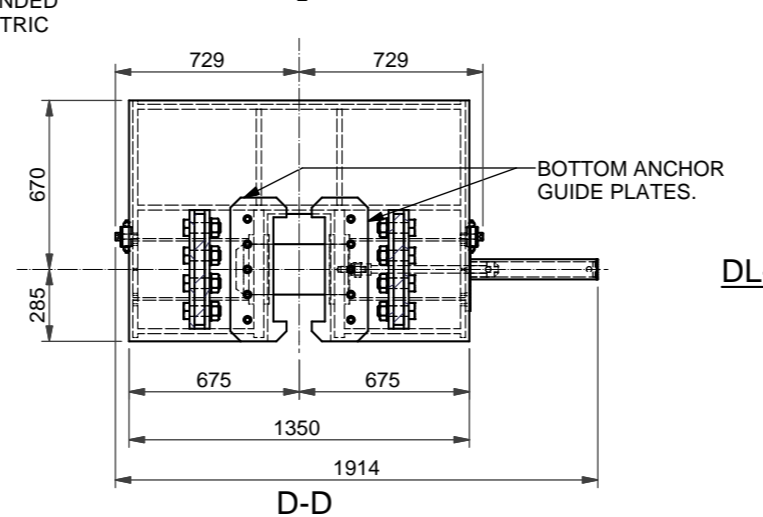
Drawing No. DL-CP500-010-02	Rev. A
--------------------------------	-----------



DL-CP500 x 5700 CLIMBING BAR
 (1:30)



2 No. REMOVEABLE LIFTING LUGS FOR A SUSPENDED LOAD UP TO 352 METRIC TONNE SWL



DL-CP500 PINNED CLIMBING JACK
 (1:30)